

Зип Общепит

vsezip.ru

DESPIECE TECNICO / SPARE PARTS BOM

+7(812)987-08-81

**Hornos eléctricos**  
**Fours électriques**  
**Electric ovens**  
**Elektro heissluftdämpfer**  
**Forni elettrici**  
**Fornos eletricos**

**Modelos / Models:**

**AE-061**  
**ACE-061**  
**APE-061**  
**AE-101**  
**ACE-101**  
**APE-101**



**PLATON SERVICE**

8 (800) 500-34-41

www.platonservice.com

**Septiembre 2012 September**

*Revisado Abril 2016 April Revised*

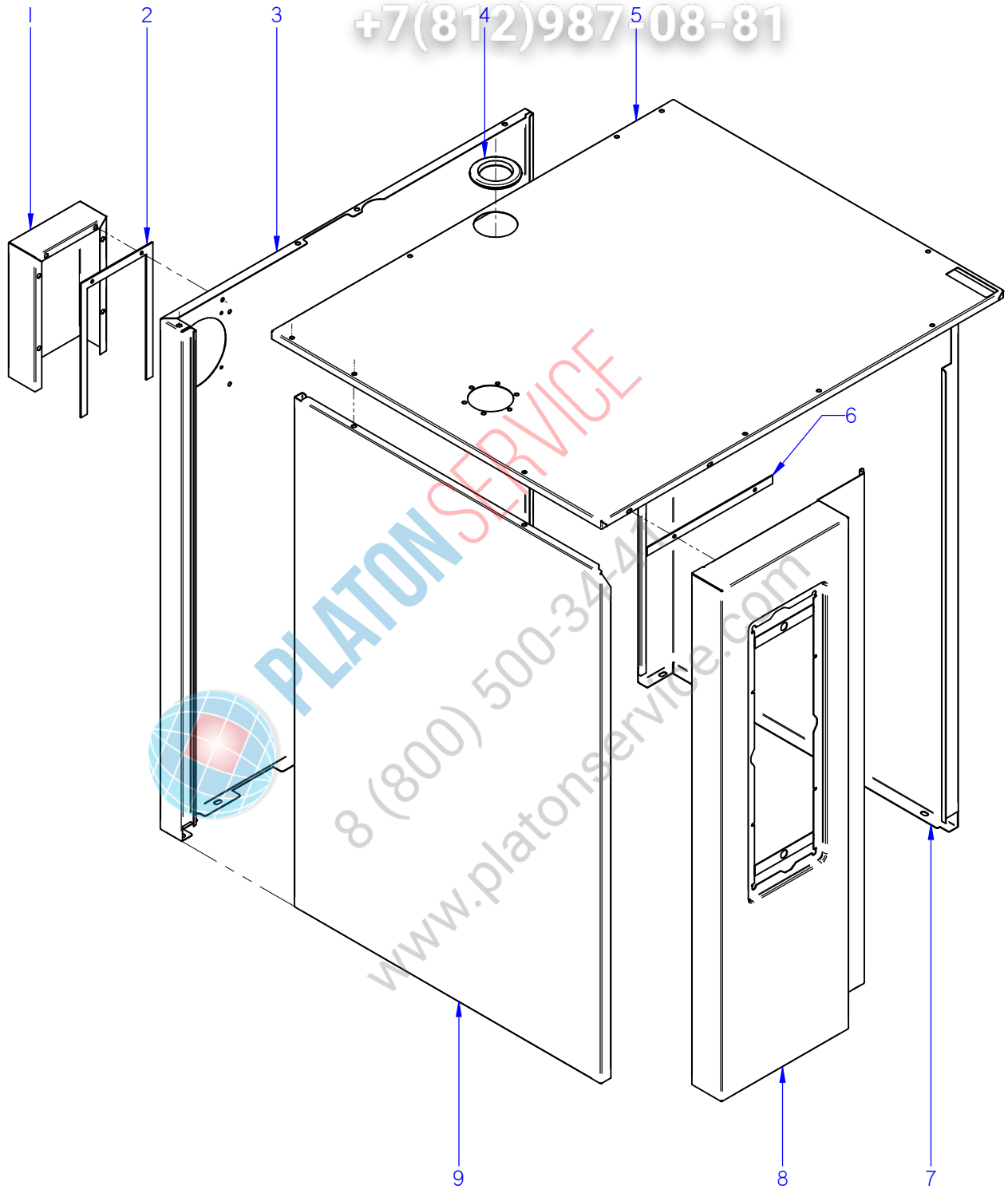
**FAGOR**

FAGOR INDUSTRIAL

Зип Общепит

vsezip.ru

+7(812)98708-81



ITEM MARCADO EN COLOR = REPUESTO RECOMENDADO  
COLOURED ITEM = RECOMMENDED SPARE PART

Nº plano / N° plane	Firma	Fecha / Date	Denominación / Denomination:	MUEBLE / UNIT	Lamina / Sheet	Fagor Industrial S.Coop. <b>FAGOR</b>
C-3000	<i>(Signature)</i>	2012-09	HORNOS AE; ACE; APE-061 / 101		1	Oñate

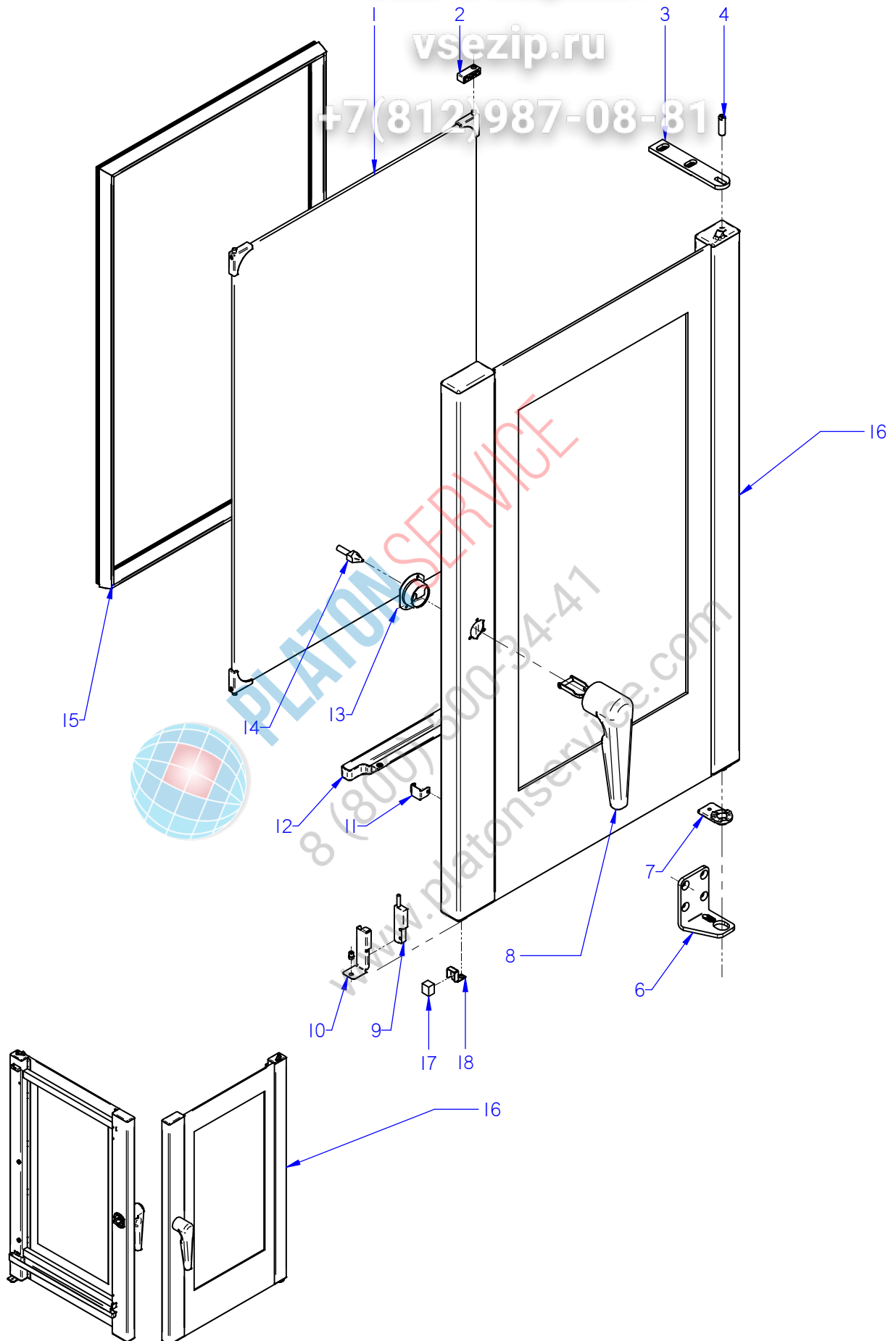
# Зип Общепит

APARATO / APPLIANCE		HORNOS / OVENS		ZONA / ZONE		MUEBLE / UNIT					
ITEM	CODIGO REFERENCE	DENOMINACION	DENOMINATION	ACE-061	AE-061	APE-061	ACE-101	AE-101	APE-101		
1	12022537	CHAPA SEPARACION IPX5	SEPARATION PLATE IPX5	1	1	1	1	1	1		
2	12024082	JUNTA IPX5	SEAL IPX5	1	1	1	1	1	1		
3	12039596	PANEL POSTER EXTER 061	REAR EXTERIOR PANEL061	1	1	1	-	-	-		
3	12039494	PANEL POSTER EXTER 101	REAR EXTERIOR PANEL101	-	-	-	1	1	1		
4	12024231	PASAMUROS CHIMENEA 101003361	FEED THROUGH FLUE PIPE 101003361	1	1	1	1	1	1		
5	12043723	PANEL SUPER. EXTERIOR APE 061	SUP. EXTERIOR PANEL APE 061	1	1	1	1	1	1		
6	12039495	JUNTA PORTAMANDOS 101-102	CONTROL PANEL SEAL 101-102	1	1	1	1	1	1		
7	12043484	PANEL DERECHO ADV ELEC 061	RIGHT PANEL ADV ELEC 061	1	1	1	-	-	-		
7	12043609	PANEL DERECHO ADV ELEC 101	RIGHT PANEL ADV ELEC 101	-	-	-	1	1	1		
8	12039625	PORTAMANDOS APE 061	CONTROL PANEL APE 061	1	1	1	-	-	-		
8	12043767	PORTAMANDOS APE-APG 101	CONTROL PANEL APE-APG 101	-	-	-	1	1	1		
9	12043530	PANEL EXTER. IZDO. ADV ELEC.061	REAR LEFT PANEL ADV ELE.061	1	1	1	-	-	-		
9	12043702	PANEL EXTER. IZDO. ADV ELEC.101	REAR LEFT PANEL ADV ELE.101	-	-	-	1	1	1		

Зип Общепит

vsezip.ru

+7(812)987-08-81



ITEM MARCADO EN COLOR = REPUESTO RECOMENDADO  
COLOURED ITEM = RECOMMENDED SPARE PART

Nº plano / N° plane	Firma / Signature	Fecha / Date	Denominación / Denomination:	PUERTA / DOOR	Lamina / Sheet	Fagor Industrial S.Coop. <b>FAGOR</b>
C-3001	Iban R.	03-2015	HORNOS AE; ACE; APE-061 / 101		2	Oñate

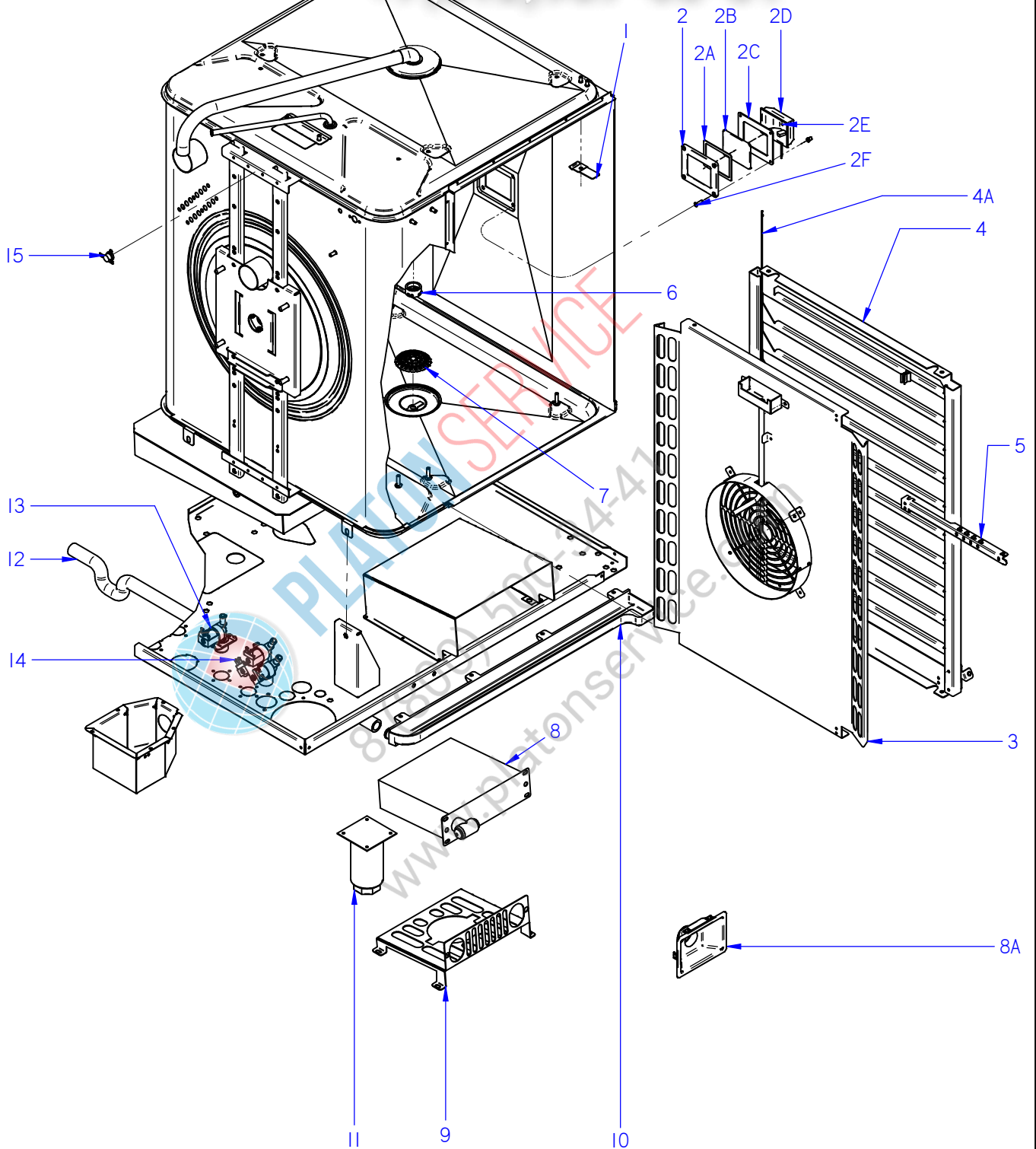
# Зип Общепит

APARATO / APPLIANCE		HORNOS / OVENS	ZONA / ZONE	PUERTA / DOOR					
ITEM	CODIGO REFERENCE	DENOMINACION	DENOMINATION	ACE-061	AE-061	APE-061	ACE-101	AE-101	APE-101
1	12046041	KIT CRISTAL INTER. 061	061 INNER GLASS KIT	1	1	1	-	-	-
1	12046042	KIT CRISTAL INTER. 101	101 INNER GLASS KIT	-	-	-	1	1	1
2	12041724	BISAGRA CRISTAL INTERIOR	INNER GLASS HINGE	2	2	2	2	2	2
3	12039312	BISAGRA SUPERIOR	UPPER HINGE	1	1	1	1	1	1
4	12023636	EJE SUPERIOR	UPPER SHAFT	1	1	1	1	1	1
6	12043391	BISAGRA INFERIOR ADVANCE	BOTTOM HINGE ADVANCE	1	1	1	1	1	1
7	12039311	BASE BISAGRA INFERIOR PUERTA	LOWER DOOR HINGE BASE	1	1	1	1	1	1
7	12047967	BASE BISAGRA INFERIOR 6 DIEN	LOWER HINGE BASE	1	1	1	1	1	1
8	12047580	REP. MANILLA 1/1 ADVANCE	HANDLE 1/1 ADVANCE	1	1	1	1	1	1
9	12024560	INTERRUPTOR MAGNETICO AC	MAGNETIC SWITCH AC	1	1	1	1	1	1
10	12022166	SOPORTE MICRO PUERTA	DOOR MICRO SWITCH	1	1	1	1	1	1
11	12041725	MUELLE CIERRE CRISTAL INTERIOR	INNER GLASS SPRING LOCK	1	1	1	1	1	1
12	12039485	RECOGEAGUAS PUERTA 101	DOOR SPRING WATER COLLECTOR	1	1	1	1	1	1
13	12023553	EMBELLECEDOR POSTERI. ASA	REAR TRIM HANDLE	1	1	1	1	1	1
13	12091814	EMBELLECEDOR PUERTA ADV-UL	DOOR TRIM ADV-UL	1	1	1	1	1	1
14	12023849	ANCLAJE PUERTA	DOOR ANCHORING	1	1	1	1	1	1
15	12039599	JUNTA PUERTA COMPL. 061	DOOR JOINT 061	1	1	1	-	-	-
15	12039475	JUNTA PUERTA COMPL. 101	DOOR JOINT 101	-	-	-	1	1	1
16	12046015	KIT PUERTA 061	DOOR 061 KIT	1	1	1	-	-	-
16	12046018	KIT PUERTA 101	DOOR 101 KIT	-	-	-	1	1	1
17	12024303	IMAN	MAGNET	1	1	1	1	1	1
18	12049358	SOPORTE IMAN	MAGNET SUPPORT	1	1	1	1	1	1

Зип Общепит

vsezip.ru

7(812)987-08-81



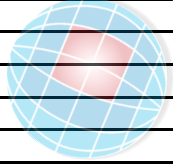
ITEM MARCADO EN COLOR = REPUESTO RECOMENDADO  
COLOURED ITEM = RECOMMENDED SPARE PART

Nº plano / N° plane	Firma / Signature	Fecha / Date	Denominación / Denomination:	MUEBLE INTERIOR / INTERIOR OVEN	Lamina / Sheet	Fagor Industrial S.Coop. <b>FAGOR</b>
C-3002	Iban R.	01-2016	HORNOS AE; ACE; APE-061 / 101		3	Oñate

# Зип Общепит

APARATO / APPLIANCE		HORNOS / OVENS		ZONA / ZONE		MUEBLE INTERIOR / INTERIOR OVEN					
ITEM	CODIGO REFERENCE	DENOMINACION	DENOMINATION	ACE-061	AE-061	APE-061	ACE-101	AE-101	APE-101		
1	12041767	SOPORTE SONDA PINCHO CAMARA	CAMERA PROBE SUPP. PINCHO	2	2	2	2	2	2		
2	12024464	MARCO LAMPARA	LAMP ANCHORING PLATEN	1	1	1	1	1	1		
2A	12023532	JUNTA INTERIOR LAMPARA	LAMP INNER JOINT	1	1	1	1	1	1		
2B	12023668	CRISTAL LAMPARA	LAMP GLASS	1	1	1	1	1	1		
2C	12023578	JUNTA EXTERIOR LAMPARA	LAMP OUTER JOINT	1	1	1	1	1	1		
2D	12024545	PORTALAMPARAS	LAMP HOLDER	1	1	1	1	1	1		
2E	12025123	LAMPARA 10W-12V	LIGHT 10W 12V	1	1	1	1	1	1		
2F	12010262	TORNILLO M4X15MM DIN965	M4X15MM DIN965 SCREW	4	4	4	4	4	4		
3	12126840	CUBREVENTILADOR ACE-061	FAN COVER ACE-061	1	-	-	-	-	-		
3	12126841	CUBREVENTILADOR AE-APE-061	FAN COVER AE-APE-061	-	1	1	-	-	-		
3	12126831	CUBREVENTILADOR ACE-101	FAN COVER ACE-101	-	-	-	1	-	-		
3	12126832	CUBREVENTILADOR AE-APE-101	FAN COVER AE-APE-101	-	-	-	-	1	1		
4	12119263	KIT PORTABANDEJAS DCHA. 061	RIGHT HOLDER TRAYS ADV 061	1	1	1	-	-	-		
4	12119260	KIT PORTABANDEJAS IZDA 061	LEFT HOLDER TRAYS ADV 061	1	1	1	-	-	-		
4A	12039594	TOPE BANDEJAS 061	TRAY TOP 061	2	2	2	-	-	-		
4	12118378	KIT PORTABANDEJAS DCHA. 101	RIGHT HOLDER TRAYS ADV 101	-	-	-	1	1	1		
4	12118377	KIT PORTABANDEJAS IZDA 101	LEFT HOLDER TRAYS ADV 101	-	-	-	1	1	1		
4A	12039490	TOPE BANDEJAS 101-102	TRAY TOP101-102	-	-	-	2	2	2		
5	12126827	SOPORTE CORE HOLDER	CORE HOLDER SUPPORT	1	1	1	1	1	1		
6	12023935	PUNTA DIFUSORA LAVADO	WASHING DISPENSER POINT	-	-	1	-	-	1		
6	12129275	PUNTA DIFUSORA ACLARADO	RINSING DISPENSER POINT	1	1	-	1	1	-		
7	12002681	FILTRO DESAGÜE	DRAINAGE FILTER	1	1	1	1	1	1		
7	12095042	FILTRO DESAGÜE Ø53	DRAINAGE FILTER Ø53	1	1	1	1	1	1		
8	12040977	DUCHA	SHOWER	-	1	1	-	1	1		
8A	12041736	EMBELLECEDOR DUCHA ADV.	SHOWER TRIM ADVANCE	-	1	1	-	1	1		
9	12039620	CHAPA AMARRE DUCHA	TIE PLATE SHOWER	-	1	1	-	1	1		
10	12039627	RECOGEAGUAS HORNO	SPRING WATER COLLE.	1	1	1	1	1	1		
11	12009104	PATA REGULABLE	REGULABLE LEG	4	4	4	4	4	4		
12	12039498	TUBO RECOGEAGUAS 101	COLLECT WATER PIPE 101	1	1	1	1	1	1		
	12009628	ABRAZADERA ELAST. 26.7-28.1	SPRING CLAMP 26.7-28.1	2	2	2	2	2	2		

APARATO / APPLIANCE		HORNOS / OVENS	ZONA / ZONE	MUEBLE INTERIOR / INTERIOR OVEN					
ITEM	CODIGO REFERENCE	DENOMINACION	DENOMINATION	ACE-061	AE-061	APE-061	ACE-101	AE-101	APE-101
13	12025161	E.V. 230VAC 50/60Hz 1V	SOLENOID VALVE 230VAC 1 W	1	-	1	1	-	1
14	12023794	E.V. 230VAC 50/60Hz 2V	SOLENOID VALVE 230VAC 2 W	1	1	-	1	1	-
14	12115418	E.V. 230VAC 50/60Hz 3V	SOLENOID VALVE 230VAC 3 W	-	1	1	-	1	1
15	12095019	TERMOSTATO_261_NA_51°C	THERMOSTAT_261_NA_51°C	1	1	-	1	1	-



**PLATON SERVICE**

8 (800) 500-34-41

www.platonservice.com



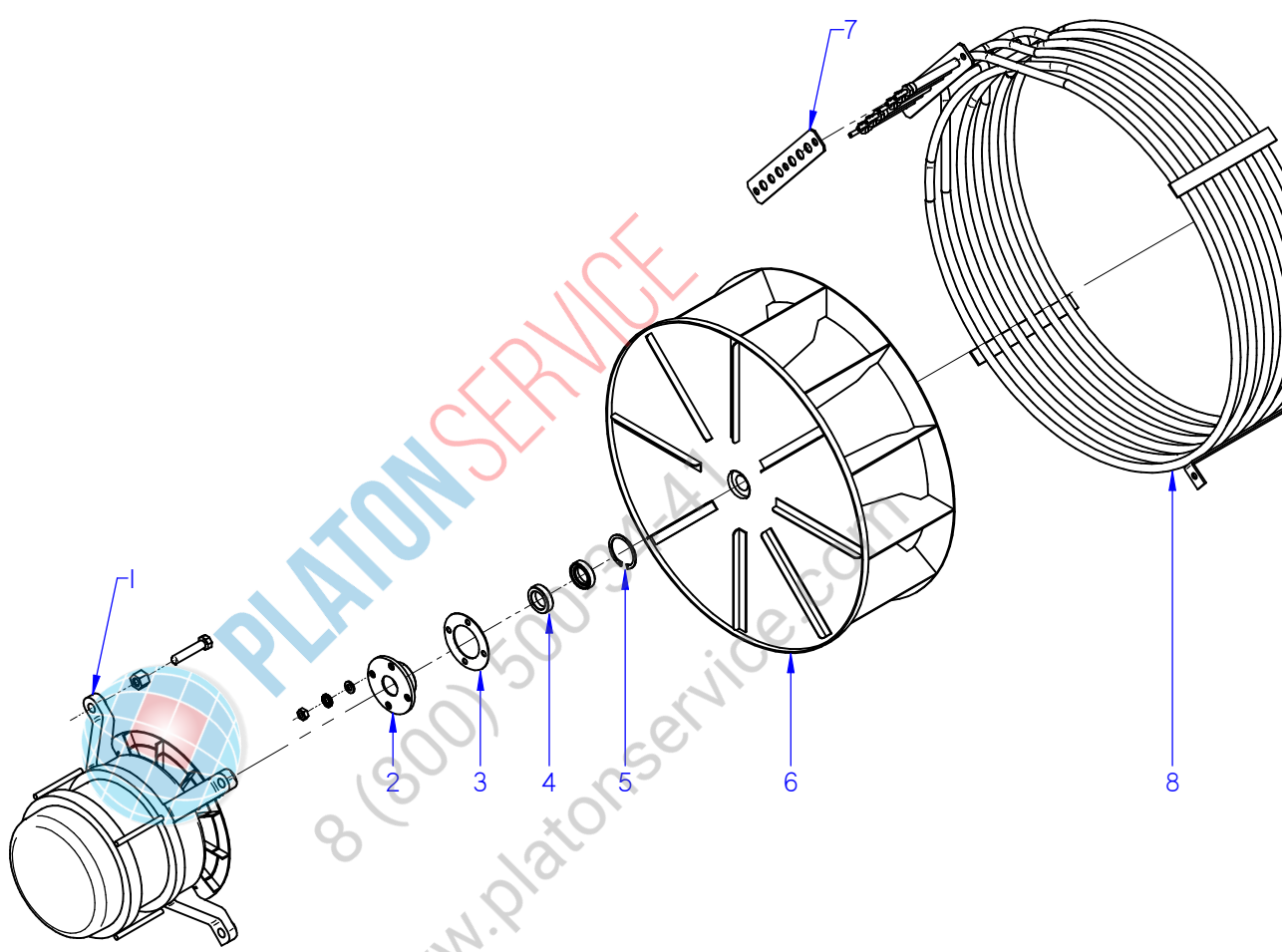
Зип Общепит

vsezip.ru

+7(812)987-08-81

Nº plano / N° plane	Firma	Fecha / Date	Denominación / Denomination:	Lamina / Sheet	Ориге
C-3003	(Signature)	2012-09	HORNOS AE; ACE; APE-061 / 101	4	Fagor Industrial S. Coop. <b>FAGOR</b>

ITEM MARCADO EN COLOR = REPUESTO RECOMENDADO  
COLOURED ITEM = RECOMMENDED SPARE PART



# Зип Общепит

vsezip.ru

ZONA / ZONE

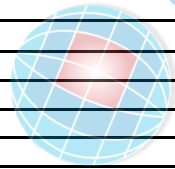
TURBINA / TURBINE

APARATO /  
APPLIANCE

HORNOS / OVENS

ITEM	CODIGO REFERENCE	DENOMINACION	DENOMINATION	ACE-061	AE-061	APE-061	ACE-101	AE-101	APE-101
1	12024325	MOTOR 230V AC 3N650KW 1450RPM	MOTOR 230V AC 3N650KW 1450	1	1	1	1	1	1
S/Nº	12023560	DISTANCIADOR MOTOR 10/21	SPACER MOTOR 10/21	4	4	4	4	4	4
2	12024742	CASQUILLO RETEN 10/21	SEAL BUSHING 10/21	1	1	1	1	1	1
3	12024221	JUNTA CASQUILLO RETEN	SEAL BUSHING GASKET	1	1	1	1	1	1
4	12024510	RETEN 17X28X7V	RETAINER 28x17x7	2	2	2	2	2	2
5	12010122	ANILLO DE SEGURIDAD Ø 28X1.2	SAFETY RING 28x1,2	1	1	1	1	1	1
6	12024306	TURBINA RECTA Ø350X127 HANN.	TURBINE RECTA Ø350X127 HAN	1	1	1	1	1	1
7	12041165	JUNTA RESIST. CIRCULAR 1/1 ADV	RESIST. CIRCULAR 1/1 ADV SEAL	1	1	1	2	2	2
8	12039496	RESIST.CONVECCION INT. 9Kw ADV	CONVECTION RESIST. INT. ADV	1	1	1	1	1	1
9	12039497	RESIST.CONVECCION EXT. 9Kw ADV	RESIST.CONVECCION EXT. ADV	-	-	-	1	1	1

+7(812)987-08-81

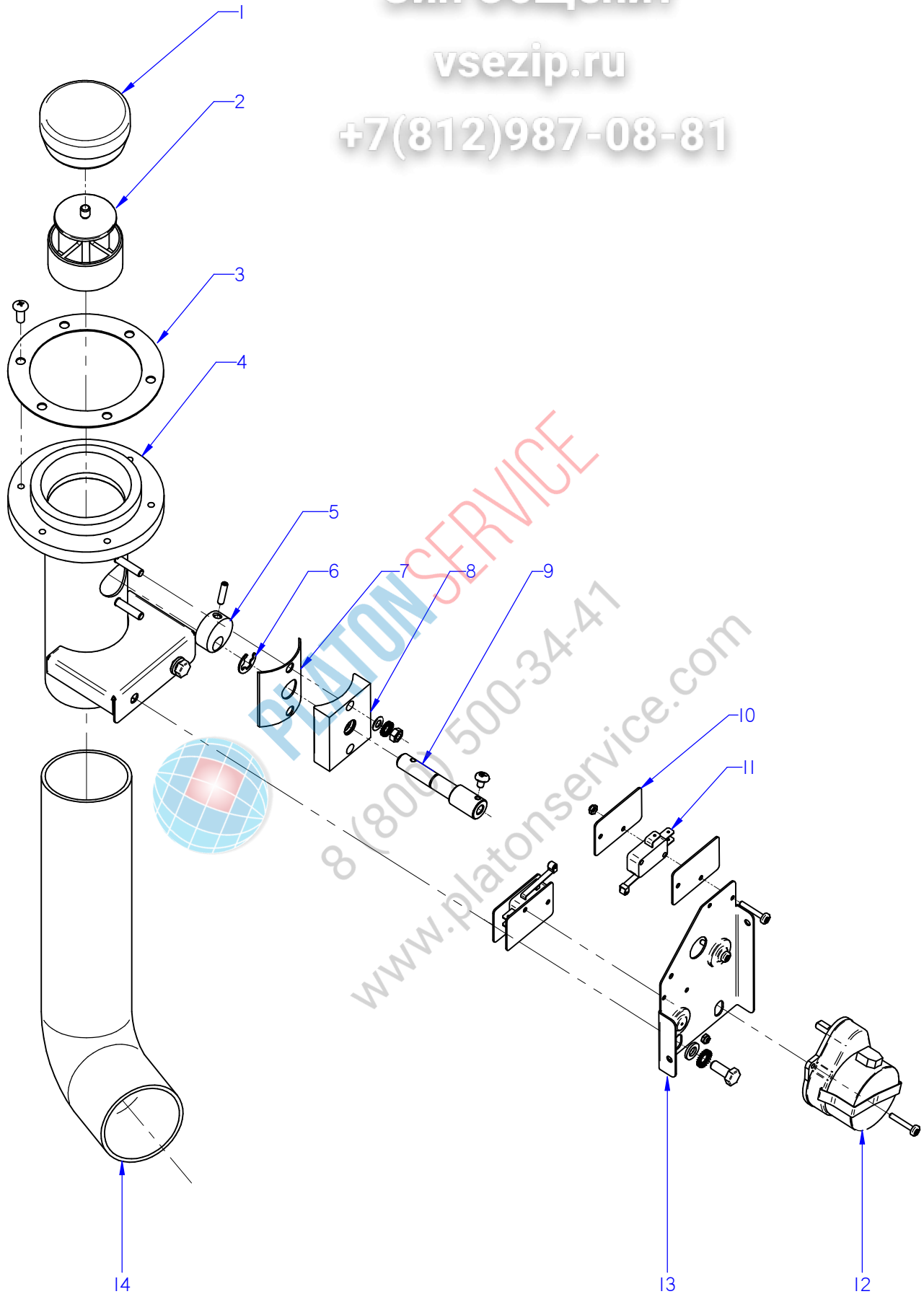


PLATON SERVICE  
 8 (800) 500-34-47  
 www.platonservice.com

Зип Общепит

vsezip.ru

+7(812)987-08-81



ITEM MARCADO EN COLOR = REPUESTO RECOMENDADO  
COLOURED ITEM = RECOMMENDED SPARE PART

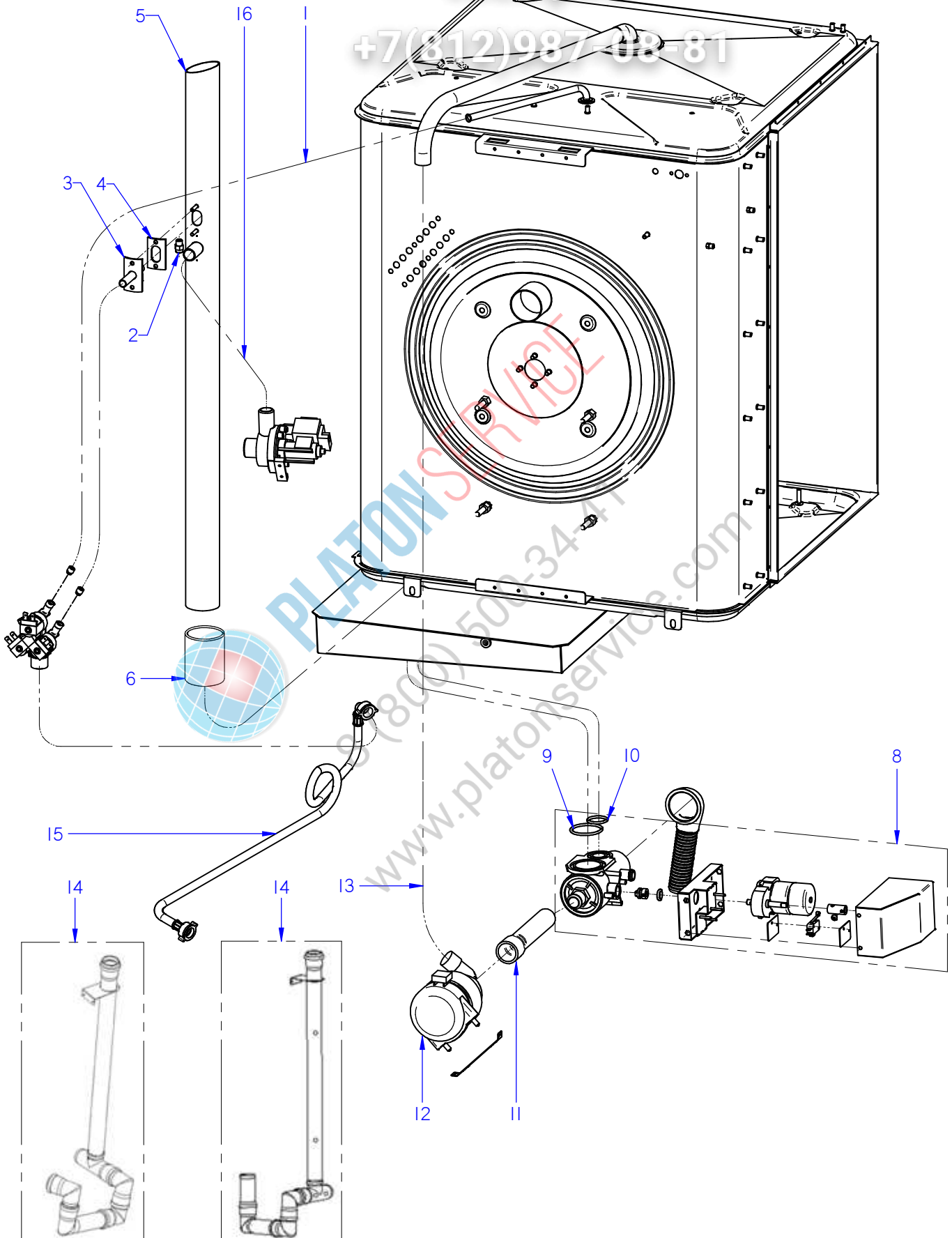
Nº plano / N° plane	Firma	Fecha / Date	Denominación / Denomination:	CHIMENEA / FLUEPIPE	Lamina / Sheet	Fagor Industrial S.Coop. <b>FAGOR</b>
C-3004	<i>(Signature)</i>	2012-09	HORNOS AE; ACE; APE-061 / 101	5	Oñate	

APARATO / APPLIANCE		HORNOS / OVENS	ZONA / ZONE	CHIMENEA / FLUEPIPE					
ITEM	CODIGO REFERENCE	DENOMINACION	DENOMINATION	ACE-061	AE-061	APE-061	ACE-101	AE-101	APE-101
1	12024520	RETENCION DE VAPORES	CLOSE CHIMNEY	1	1	1	1	1	1
2	12024500	GUIA RETENCION VAPORES	STEAM RETAINER GUIDE	1	1	1	1	1	1
3	12023576	JUNTA BASE CHIMENEA	FLUEPIPE BASE SEAL	1	1	1	1	1	1
S/Nº	12095516	JUNTA TORICA 5x1	O-RING 5x1	6	6	6	6	6	6
4	12022868	CONJUNTO CHIMENEA	COMPLETE CHIMNEY	1	1	1	1	1	1
4	12104226	CONJUNTO CHIMENEA	COMPLETE CHIMNEY	1	1	1	1	1	1
5	12024328	LEVA EJE CHIMENEA	FLUEPIPE SHAFT CAM	1	1	1	1	1	1
6	12010014	ARANDELA DE SEGURIDAD Ø8	SAFETY WASHER Ø8	1	1	1	1	1	1
7	12023497	JUNTA EJE CHIMENEA	FLUEPIPE SHAFT SEAL	1	1	1	1	1	1
8	12024436	GUIA EJE CHIMENEA	FLUEPIPE SHAFT GUIDE	1	1	1	1	1	1
8	12098396	GUIA EJE CHIMENEA	FLUEPIPE SHAFT GUIDE	1	1	1	1	1	1
S/Nº	12010274	JUNTA TORICA 9.19x2.62	O-RING 9.19x2.62	1	1	1	1	1	1
9	12024435	EJE CHIMENEA ELECTRICA	ELECTRIC FLUEPIPE SHAFT	1	1	1	1	1	1
9	12104228	EJE CHIMENEA ELECTRICA	ELECTRIC FLUEPIPE SHAFT	1	1	1	1	1	1
10	12009985	PLACA SEPARADORA	SPACER PLATE	4	4	4	4	4	4
11	12025193	INTERRUPTOR PUERTA	DOOR SWITCH	2	2	2	2	2	2
12	12024638	MOTOR CHIMENEA	FLUEPIPE MOTOR	1	1	1	1	1	1
13	12022146	ESCUA. AMARRE MOTOR CHIMEN.	FLUEPIPE MOTOR FASTENING BRAC	1	1	1	1	1	1
14	12024122	TUBO FLEXIBLE Ø53X360	FLEXIBLE TUBE Ø53X360	1	1	1	1	1	1
	12009962	ABRAZADERA 40*60	CLAMP 40*60	2	2	2	2	2	2

Зип Общепит

vsezip.ru

+7(812)987-08-81



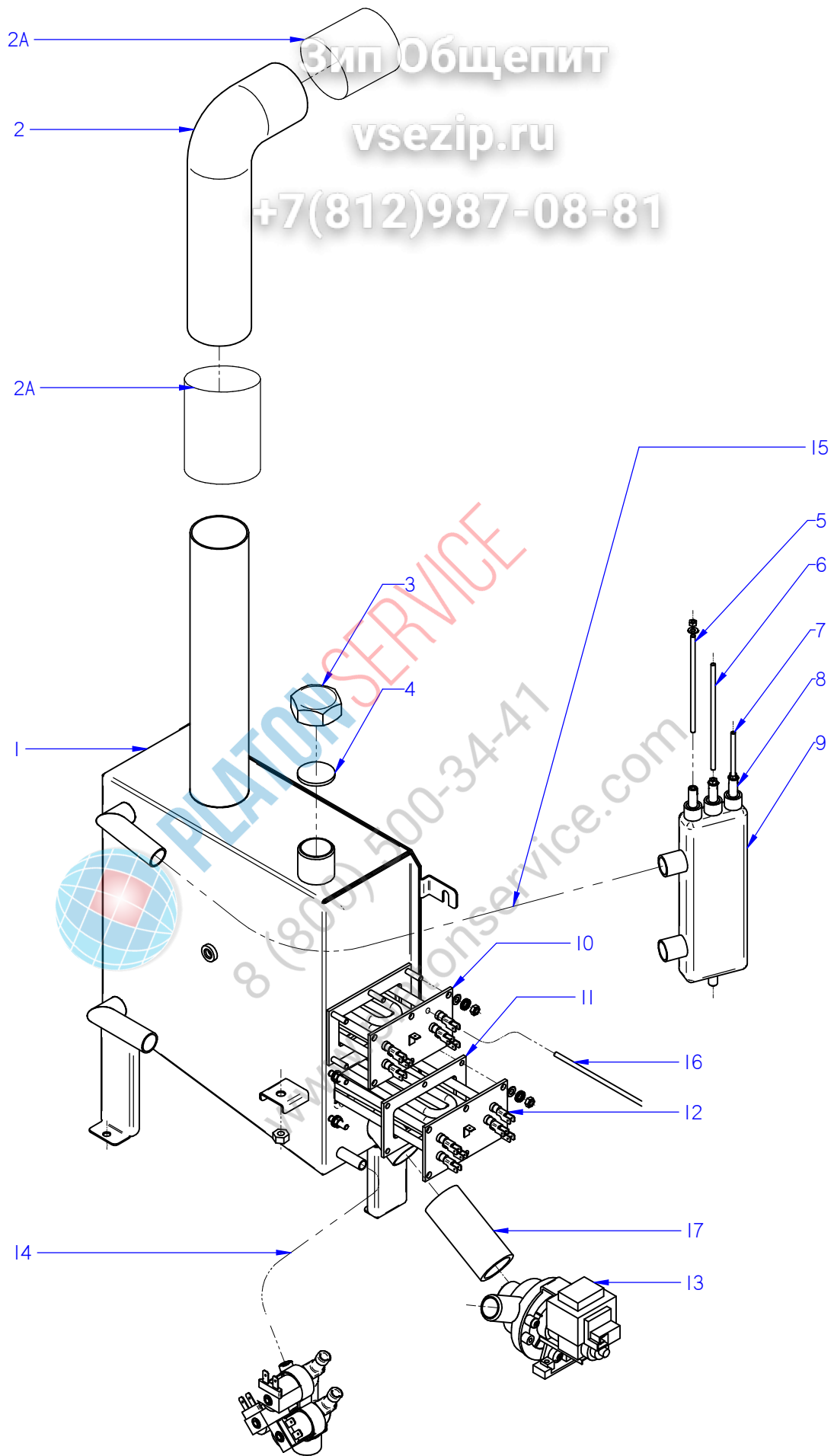
CONFIGURAC. ADVANCE PLUS  
ADVANCE PLUS CONFIGURAT.

CONFIGURAC. ADVANCE / CONCEPT  
ADVANCE / CONCEPT CONFIGURAT.

ITEM MARCADO EN COLOR = REPUESTO RECOMENDADO  
COLOURED ITEM = RECOMMENDED SPARE PART

Nº plano / N° plane	Firma	Fecha / Date	Denominación / Denomination:	CONDUCCIONES DE AGUA / WATER PIPES	Lamina / Sheet	Fagor Industrial S.Coop. <b>FAGOR</b>
C-3005	<i>(Signature)</i>	01-2016	HORNOS AE; ACE; APE-061 / 101	6	Oñate	

APARATO / APPLIANCE		HORNOS / OVENS		ZONA / ZONE		CONDUCCIONES DE AGUA / WATER PIPES					
ITEM	CODIGO REFERENCE	DENOMINACION	DENOMINATION	ACE-061	AE-061	APE-061	ACE-101	AE-101	APE-101		
1	11000083	T. GOMA NEGRA Ø17*10	BLACK RUBBER PIPE Ø17*10	3	3	3	3	3	3		
	12010036	ABRAZADERA 12*20	CLAMP 12-20	6	10	8	6	10	8		
2	12024000	TOBERA 1/8	NOZZLE 1/8	1	1	1	1	1	1		
2	12049131	BOQUILLA 1/8M-B-1-3	INJECTOR 1/8M-B-1-3	1	1	1	1	1	1		
3	12039468	CONDUCC. VAHOS COMPLETO	COMPLETE VAPOUR DUCT	1	1	1	1	1	1		
4	12023605	JUNTA TUBO INYECTOR	INJECTOR PIPE SEAL	1	1	1	1	1	1		
5	12043803	CHIMENEA COMPLETA ACE 601	COMPL. FLUEPIPE ACE 601	1	-	-	-	-	-		
5	12039631	CHIMENEA COMPLETA 061	COMPLET FLUEPIPE 061	-	1	1	-	-	-		
5	12043845	CHIMENEA COMPLETA ACE 101-102	COMPL. FLUEPIPE ACE 101-102	-	-	-	1	-	-		
5	12039505	CHIMENEA COMPLETA VPE 101	COMPLET FLUEPIPE VPE 101	-	-	-	-	1	1		
6	12047901	EMPALME SILICONA Ø53	SILICONE JOINT Ø53	1	1	1	1	1	1		
	12007943	ABRAZADERA ELASTICA 62*66	ELAST. CLAMP 62*66	2	2	2	2	2	2		
8	12093684	KIT VALVULA DESAGUE ADVAN.	VALVE DRAIN ADVANCE KIT	-	-	1	-	-	1		
9	12010081	JUNTA TORICA Ø52X3,5	O-RING Ø52X3,5	-	-	1	-	-	1		
10	12010131	JUNTA TORICA Ø33x3,5	O-RING Ø33x3,5	-	-	1	-	-	1		
11	12024407	GOMA VALVULA BOMBA GAS	PUMP VALVE RUBBER GAZ	-	-	1	-	-	1		
	12010023	ABRAZADERA 20-32	CLAMP 20-32	-	-	1	-	-	1		
	12009997	ABRAZADERA 25-40	CLAMP 25-40	-	-	1	-	-	1		
12	12024708	MOTOBOMBA ACLARADO	MOTOR-PUMP	-	-	1	-	-	1		
	12024463	CONDENSADOR ELEC. 250V VDE	CONDENSER ELEC. 250V VDE	-	-	1	-	-	1		
13	11000005	TUBO SILIC. ALTA Tª D31*23	HIGH TEMP. SILIC. HOSE D31*23	-	-	1	-	-	2		
14	12047404	MOD CONJUNTO DESAGUE ADV	ADV DRAIN SET MODEL	1	1	1	1	1	1		
15	12025198	MANGUERA ENTRADA AGUA	WATER INLET HOSE	2	2	2	2	2	2		
16	11000157	TUBO SILIC. ALTA Tª D26*18	HIGH TEMP. SILIC. HOSE D26*18	-	2	2	-	2	2		
	12009628	ABRAZAD. ELASTICA 26,7*28,1	ELAST. CLAMP 26,7*28,1	-	1	1	-	1	1		



ITEM MARCADO EN COLOR = REPUESTO RECOMENDADO  
 COLOURED ITEM = RECOMMENDED SPARE PART

Nº plano / N° plane	Firma	Fecha / Date	Denominación / Denomination:	CIRCUITO DE VAPOR / STEAM CIRCUIT	Lamina / Sheet	Fagor Industrial S.Coop. <b>FAGOR</b>
C-3006	Iban R.	01-2016	HORNOS AE; APE-061 / 101		7	Oñate

# Зип Общепит

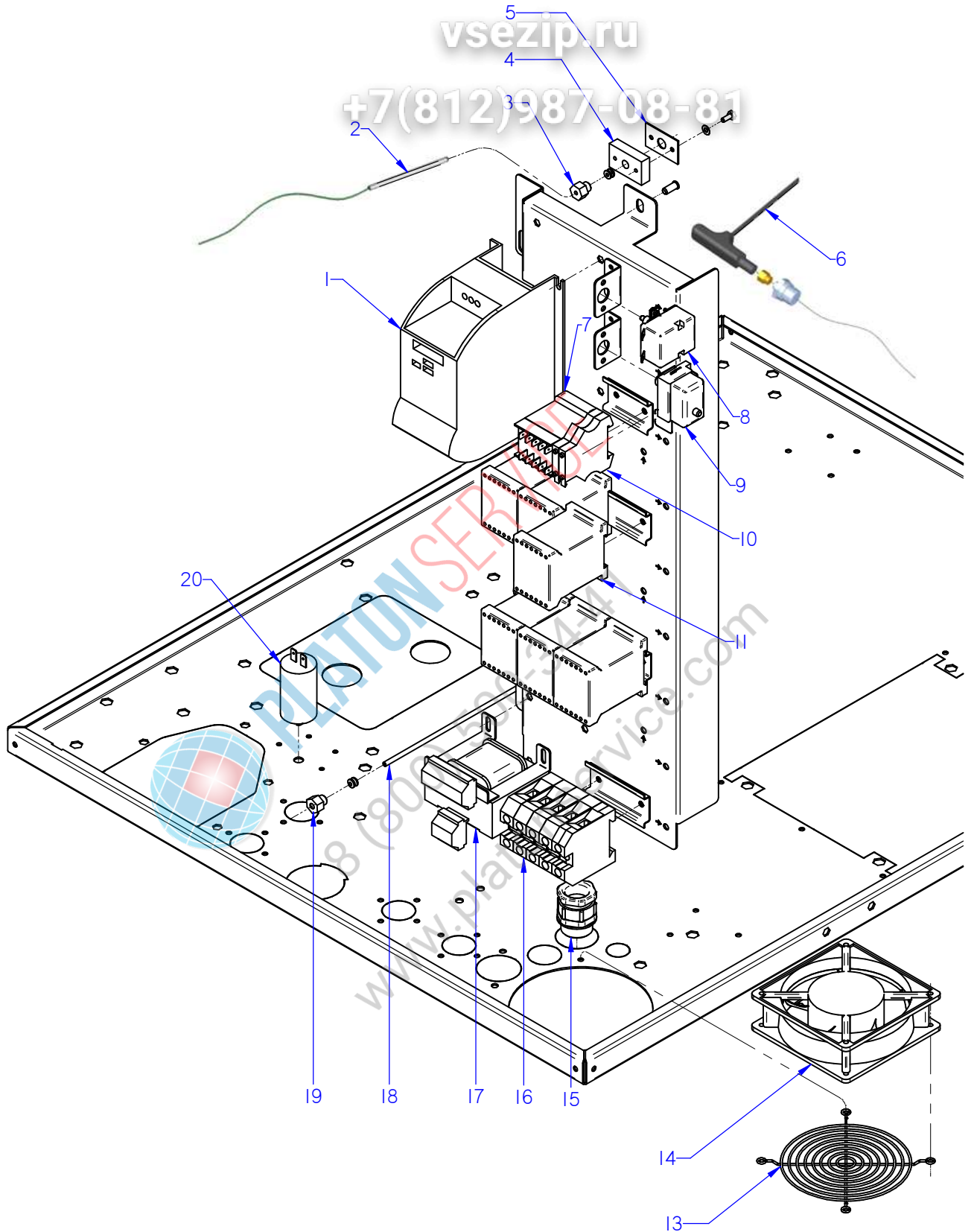
APARATO / APPLIANCE		HORNOS / OVENS	ZONA / ZONE	CIRCUITO DE VAPOR / STEAM CIRCUIT						
ITEM	CODIGO REFERENCE	DENOMINACION	DENOMINATION	AE-061	APE-061	AE-101	APE-101			
1	12046048	KIT GENERADOR VAPOR 601	STEAM GENERATOR 601 KIT	1	1	-	-			
1	12046049	KIT GENERADOR VAPOR 101	STEAM GENERATOR 101 KIT	-	-	1	1			
2	12041855	TUBO FLEXIBLE Ø53X360 VARILLA	FLEXIBLE TUBE Ø53X360	1	1	1	1			
2	12047930	EMPALME GENERADOR 061	GENERATOR JOINT 601	1	1	1	1			
2A	12047901	EMPALME SILICONA Ø53	SILICONE JOINT Ø53	2	2	2	2			
3	12009699	TUERCA TAPON 1"	PLUG NUT 1"	1	1	1	1			
4	12009884	ARANDELA Ø32	WASHER Ø32	1	1	1	1			
5	12023573	ELECTRODO ALTO	HIGH LEVEL ELECTRODE	1	1	1	1			
6	12023574	ELECTRODO BAJO	LOW LEVEL ELECTRODE	1	1	1	1			
7	12023575	ELECTRODO DE MASA	EARTH ELECTRODE	1	1	1	1			
8	12024460	GUIA AISLANTE	INSULATION GUIDE	3	3	3	3			
9	12024419	BOTE DE NIVELES	LEVELS VESSEL	1	1	1	1			
9	12113061	BOTE DE NIVELES INOX	LEVELS VESSEL S.STEEL	1	1	1	1			
10	12024752	RESISTENCIA 3x3000W 230V	RESISTOR 3x3000W 230V	1	1	1	1			
11	12023680	JUNTA CIERRE RESISTENCIAS	RESISTOR SEAL	1	1	2	2			
12	12024747	RESISTENCIA 3x3000W	RESISTOR 3x3000W	-	-	1	1			
13	12039546	MOTOBOMBA 230V AC 1N 50/60Hz	PUMP 230V AC 50/60Hz 30W 1N	1	1	1	1			
14	11000083	T. GOMA NEGRA Ø17*10	BLACK RUBBER PIPE Ø17*10	1	1	1	1			
15	11000157	TUBO SILICONA Tº Ø 26*18	HIGH SILICON PIPE Tº Ø 26*18	2	2	2	2			
	12009628	ABRAZAD. ELASTICA 26,7*28,1	ELAST. CLAMP 26,7*28,1	4	4	4	4			
16	12023901	CONJ. TERMOPAR VAPOR (Tg)	STEAM THERMOCOUPLE (Tg)	1	1	1	1			
17	12041924	COND. CALDERIN-BOMBA DES.	BOILER-DRAIN,PUMP PIPE	1	1	1	1			
	12044862	ABRAZADERA ELAS.TOR.30,5-35	ELASTIC CLAMP.TOR.30,5-35	2	2	2	2			



Зип Общепит

vsezip.ru

+7(812)987-08-81



ITEM MARCADO EN COLOR = REPUESTO RECOMENDADO  
COLOURED ITEM = RECOMMENDED SPARE PART

Nº plano / N° plane	Firma	Fecha / Date	Denominación / Denomination:	CUADRO ELECTRICO / ELECTRIC PANEL	Lamina / Sheet	Fagor Industrial S.Coop. <b>FAGOR</b>
C-3007	<i>(Signature)</i>	2012-09	HORNOS AE; ACE; APE-061 / 101	8	Oñate	

# Зип Общепит

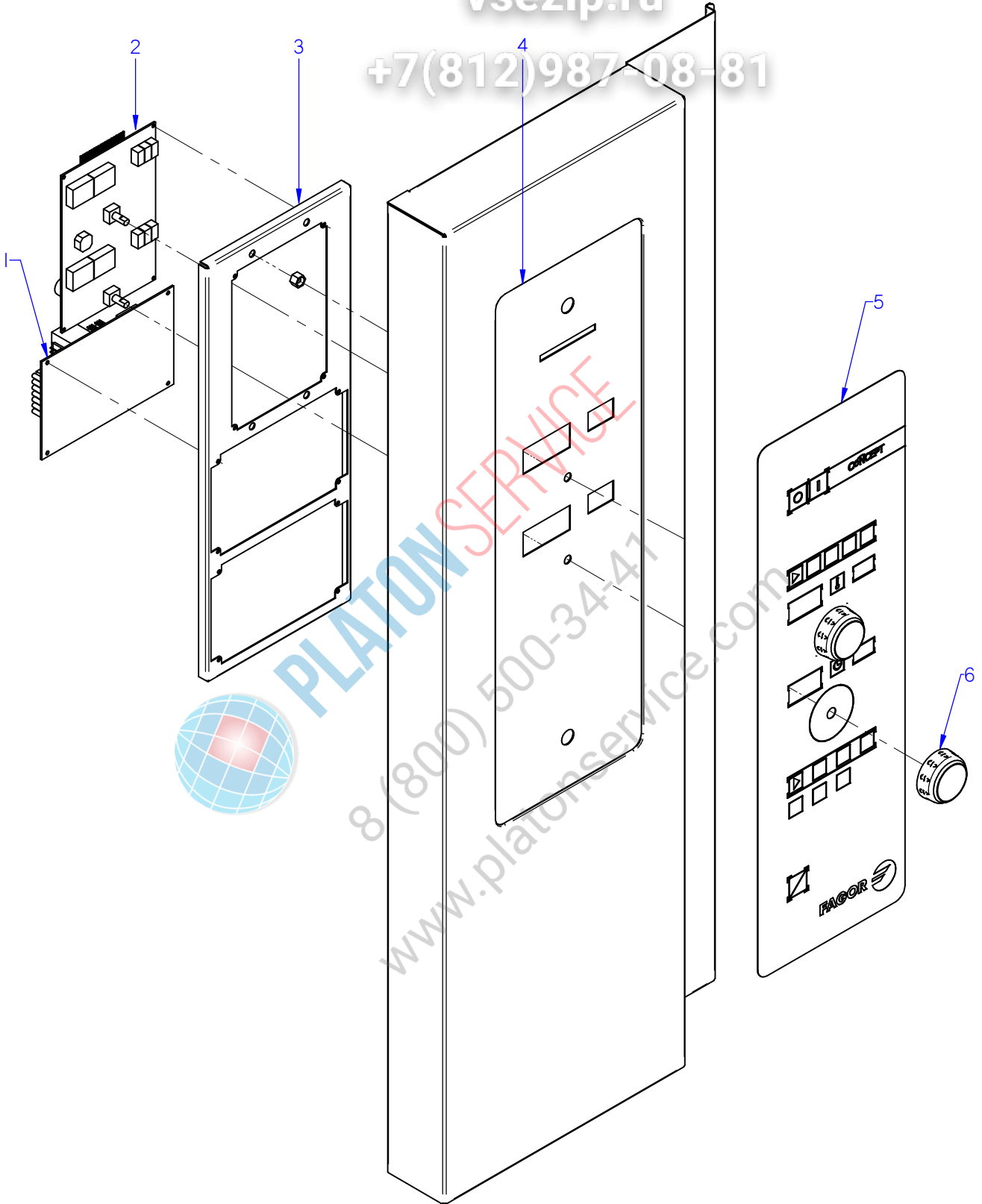
APARATO / APPLIANCE		HORNOS / OVENS		ЗОНА / ZONE		CUADRO ELECTRICO / ELECTRIC BOARD					
ITEM	CODIGO REFERENCE	DENOMINACION	DENOMINATION	ACE-061	AE-061	APE-061	ACE-101	AE-101	APE-101		
1	12048794	REP VARIADOR REGULADO 061E	REGULATED VARIATOR 061E	1	1	1	-	-	-		
1	12048798	REP VARIADOR REGULADO ADV	REGULATED VARIATOR ADV	-	-	-	1	1	1		
2	12024642	CONJUN. TERMOPAR CAMARA (Tn)	CHAMBER THERMOCOUPLE (Tn)	1	1	1	1	1	1		
3	12023581	RACORD CIERRE SONDA	PROBE CLOSING ADAPTOR	2	2	2	2	2	2		
S/Nº	12024247	BICONO CIERRE SONDA	PROBE CLOSING BICONE	1	1	1	1	1	1		
4	12023737	BASE CIERRE SONDA	FIXING CORE PROBE	1	1	1	1	1	1		
5	12023504	JUNTA PASAMUROS SIMPLE	SIMPLE	1	1	1	1	1	1		
6	12039548	SONDA PINCHO ADVANCE	ADVANCE PROBE PINCHO	1	1	1	1	1	1		
	12040566	CONTRATUERCA H 1/4"	COUNTERNUT H 1/4"	1	1	1	1	1	1		
7	12024011	CONTACTOR 230 V. 50-60 HZ	230 V. 50-60 HZ CONTACTOR	1	1	1	1	1	1		
8	12024591	TERMOSTATO LIMITADOR 10/21	LIMITER THERMOSTAT 10/21	1	1	1	1	1	1		
9	12024884	TERMOSTATO LIMITADOR CORTE	THERMOSTAT LIMITER	-	1	1	-	1	1		
10	12025158	BORNAS PORTA FUSIBLES	FUSE HOLDER TERMINAL	2	2	2	2	2	2		
S/Nº	12024152	FUSIBLE 10A Ø5MM 20X5	10A Ø5MM 20X5 FUSE	2	2	2	2	2	2		
11	12024040	CONTAC. SIRIUS 3R 230V.50-60	SIRIUS 3R 230V.50-60 CONTAC.	2	3	3	4	6	6		
13	12024615	PROTECCION VENTILADOR	FAN PROTECTION	1	1	1	1	1	1		
14	12023862	VENTILADOR 230V.50-60HZ	FAN 230V 50/60HZ	2	2	2	2	2	2		
15	12009963	PRENSA ESTOPAS	STUFFING BOX	1	1	1	-	-	-		
15	12009927	PRENSAESTOPA PG-21	STUFFING BOX PG-21	-	-	-	1	1	1		
	12010105	CONTRATUERCA (GAES)	COUNTERNUT (GAES)	1	1	1	-	-	-		
	12010063	CONTRATUERCA (GAES)	COUNTERNUT (GAES)	-	-	-	1	1	1		
	12009981	JUNTA GOMA (GAES)	RUBBER BOARD (GAES)	1	1	1	-	-	-		
	12009994	JUNTA GOMA (GAES)	RUBBER BOARD (GAES)	-	-	-	1	1	1		
16	12023373	BORNA PASO 57A 10mm2 1vía UL	GREY PHASE 57A 10mm2 1vía UL	3	3	3	-	-	-		
	12025224	BORNA NEUTRO AZUL 57A 10mm2	NEUTRAL TERMINAL 57A 10mm2	1	1	1	-	-	-		
	12024743	BORNA TIERRA 10 WPE-10103.O	EARTH TERMINAL 10 WPE-10103.O	1	1	1	-	-	-		
	12024420	BORNA PASO 35MM	GREY PHASE 35 TERMINAL	-	-	-	3	3	3		
	12025143	BORNA PASO AZUL 35MM	NEUTRAL TERMINAL 35 BLUE	-	-	-	1	1	1		
	12024515	BORNA TIERRA 35MM	EARTH TERMINAL 35mm	-	-	-	1	1	1		
17	12024173	TRANSFORMADOR 12-0-12-0,24-0	TRANSFORMER 12-0-12-0,24-0	1	1	1	1	1	1		



Зип Общепит

vsezip.ru

+7(812)987-08-81



ITEM MARCADO EN COLOR = REPUESTO RECOMENDADO  
COLOURED ITEM = RECOMMENDED SPARE PART

Nº plano / N° plane C-3008	Firma <i>name Benfor</i>	Fecha / Date 2012-09	Denominación / Denomination: PORTAMANDOS / CONTROL HOLDER HORNOS ACE-061 / 101	Lamina / Sheet 9	Fagor Industrial S.Coop. <b>FAGOR</b> Odate
-------------------------------	-----------------------------	-------------------------	-----------------------------------------------------------------------------------	---------------------	------------------------------------------------

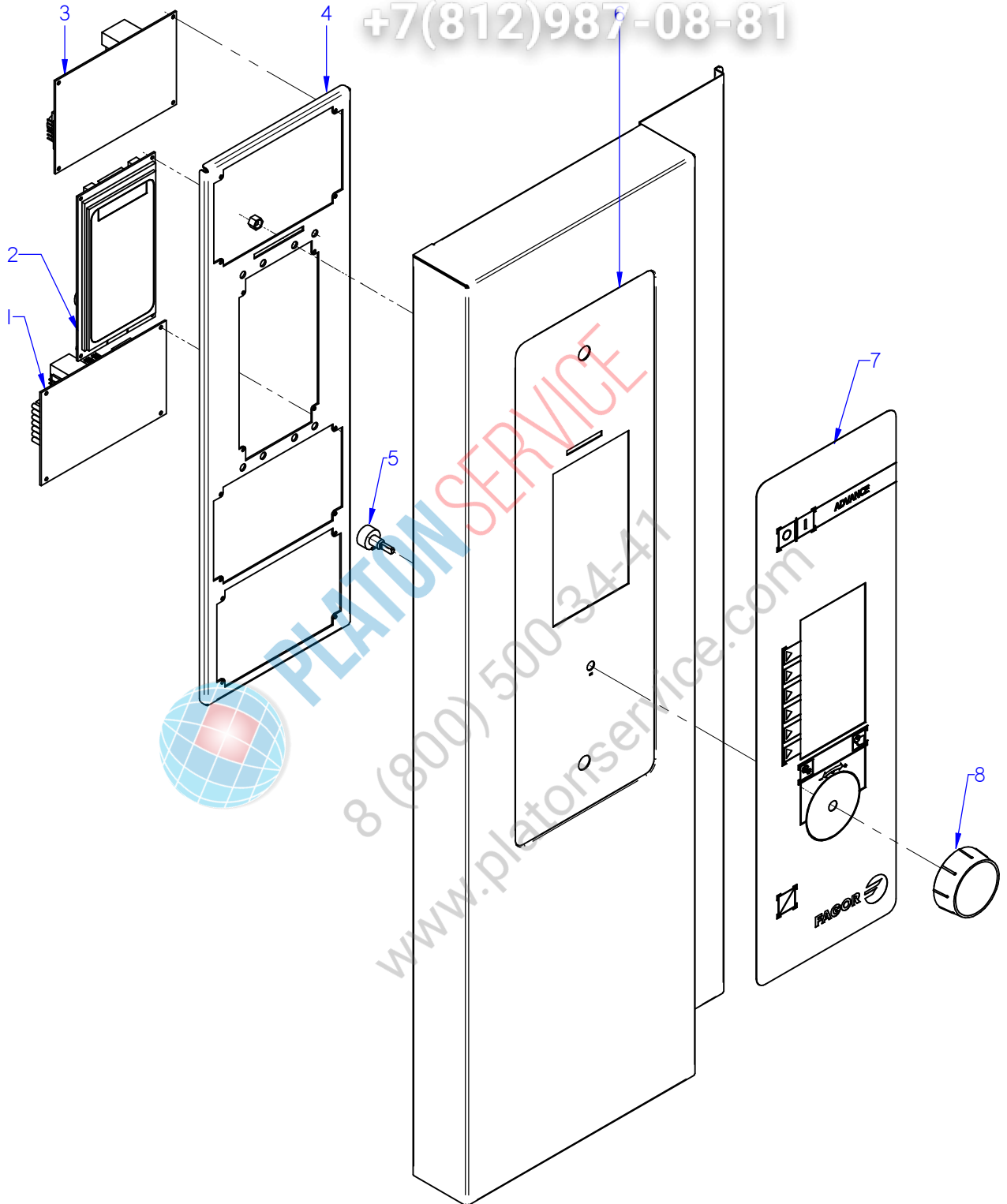
# Зип Общепит

APARATO / APPLIANCE		HORNOS / OVENS	ZONA / ZONE	CONJUNTO ELECTRICO PORTAMANDOS / CON HOLDER ELECTRIC UNIT						
ITEM	CODIGO REFERENCE	DENOMINACION	DENOMINATION	ACE-0610	ACE-101					
1	12046659	CONTROL TARJETA CAM.12V AC .	CARD CONTROL 12V AC 50/60Hz	1	1					
1	12130672	TARJETA CAMARA GRAB. LAVADO	RECORD. CHAMBER CARD WASH	1	1					
2	12046671	VISUALIZADOR 12V AC 50/60Hz 12D	12V AC 50/60Hz 12D DISPLAY	1	1					
2	12130674	TARJ. PORTAM. GRABADA LAVADO	REC. COTRL PANEL CARD WASH	1	1					
3	12043668	SOPORTE PROGRA. CONCEPT ADV.	CIRCUIT SUPPORT CONCEPT AD	1	1					
4	12093219	FRENTE PORTAM. CONCEPT	CONTROL PANEL FRONT CONC.	1	1					
S/Nº	12041815	JUNTA PORTAMANDOS ADV PLUS	CONTROL PANEL SEAL ADV PLUS	1	1					
5	12044109	SERIGRAFIA CONCEPT ADVANCE E.	SERIGRAPHY CONCEPT ADVAN	1	1					
5	12129318	SERIGRAFIA ACE-ACG	ACE-ACG SERIGRAPHY	1	1					
6	12046201	BOTON CONCEPT ADV	CONTROL BUTTON CONC. ADV	2	2					

Зип Общепит

vsezip.ru

+7(812)987-08-81

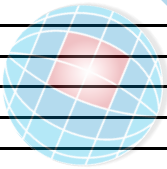


ITEM MARCADO EN COLOR = REPUESTO RECOMENDADO  
COLOURED ITEM = RECOMMENDED SPARE PART

Nº plano / N° plane	Firma	Fecha / Date	Denominación / Denomination: PORTAMANDOS / CONTROL HOLDER	Lamina / Sheet	Fagor Industrial S.Coop. <b>FAGOR</b>
C-3009	<i>(Signature)</i>	2012-09	HORNOS AE-061 / 101	10	Oñate

# Зип Общепит

APARATO / APPLIANCE		HORNOS / OVENS		ZONA / ZONE			CONJUNTO ELECTRICO PORTAMANDOS / CON HOLDER ELECTRIC UNIT			
ITEM	CODIGO REFERENCE	DENOMINACION	DENOMINATION	AE-061	AE-101					
1	12046659	CONTROL TARJETA CAM.12V AC .	CARD CONTROL 12V AC 50/60Hz	1	1					
1	12130672	TARJETA CAMARA GRAB. LAVADO	RECORD. CHAMBER CARD WASH	1	1					
2	12046672	TARJETA PORTAMAND. VISUAL	CONTROL PANEL VISUAL CARD	1	1					
2	12130675	REP PORTAM. ADVANCE LAVADO	RECORD. C. PANEL CARD WASH	1	1					
3	12046670	CONTROL TARJETA CALD. 12V AC 50/60	CARD CONTROL 12V AC 50/60Hz	1	1					
4	12039536	SOPORTE CIRCUITOS ADVANCE	CIRCUIT SUPPORT ADVANCE	1	1					
5	12043405	ENCODER GAMA ADVANCE	ADVANCE RANGE ENCODER	1	1					
6	12093236	FRENTE PORTAM. AE-AG COMP.	CONTROL PANEL FRONT AE-AG	1	1					
S/Nº	12041815	JUNTA PORTAMANDOS ADV PLUS	CONTROL PANEL SEAL ADV PLUS	1	1					
7	12044139	SERIGRAFIA ADVANCE	ADVANCE SERIGRAPHY	1	1					
7	12129465	SERIGRAFIA ADVANCE LAVADO	ADVANCE SERIGRAPHY WASHING	1	1					
8	12044074	BOTON DE MANDO ADV	ADV CONTROL BUTTON	1	1					



PLATON SERVICE

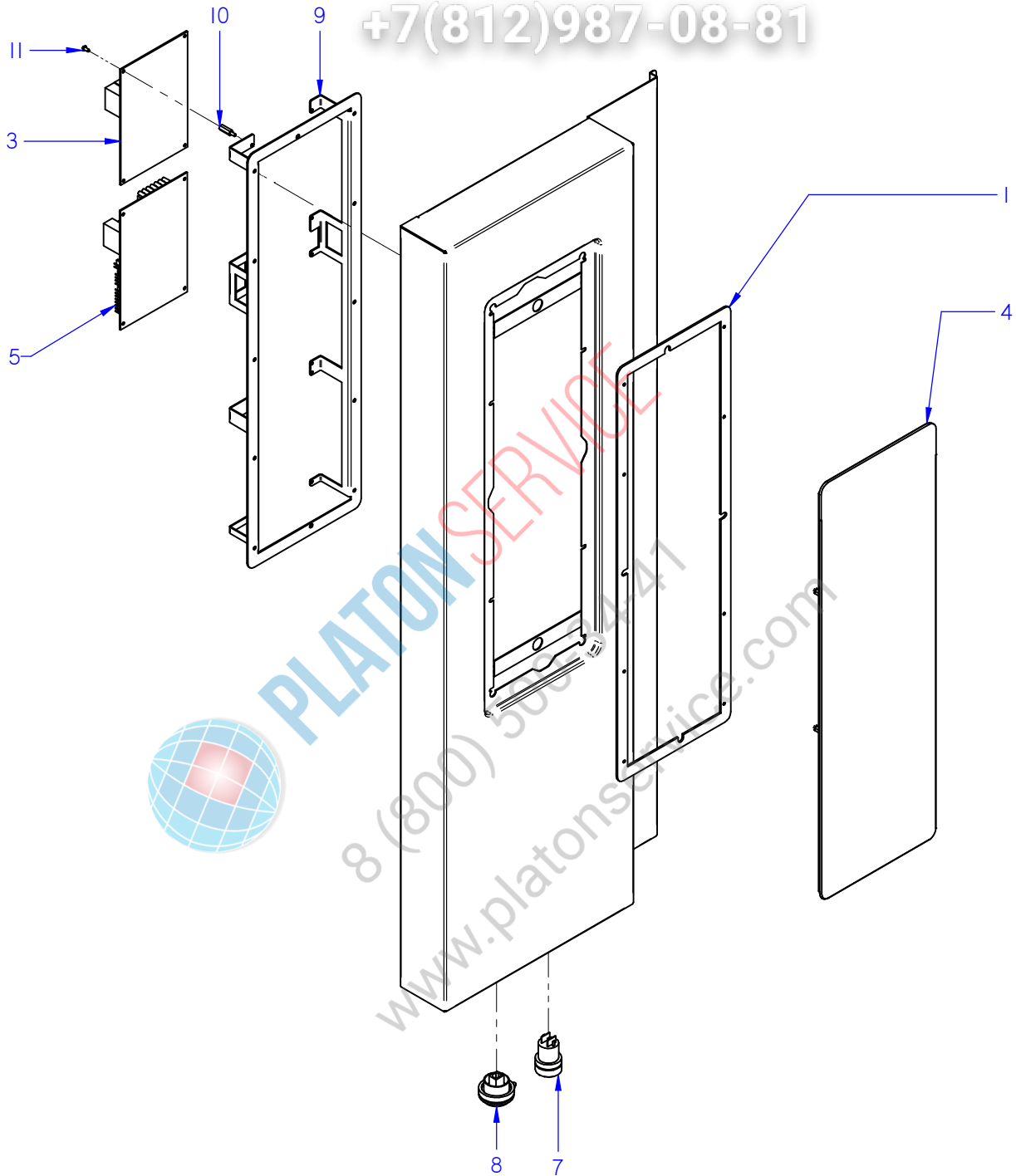
8 (800) 500-34-47

www.platonservice.com

Зип Общепит

vsezip.ru

+7(812)987-08-81



ITEM MARCADO EN COLOR = REPUESTO RECOMENDADO  
COLOURED ITEM = RECOMMENDED SPARE PART

Nº plano / N° plane	Firma	Fecha / Date	Denominación / Denomination: PORTAMANDOS / CONTROL HOLDER	Lamina / Sheet	Fagor Industrial S.Coop. <b>FAGOR</b>
C-3010	<i>(Signature)</i>	05-2015	HORNOS APE-061 / 101	11	Oñate

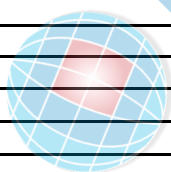




# Зип Общепит

vsezip.ru

+7(812)987-08-81



APARATO / APPLIANCE		HORNOS / OVENS	ZONA / ZONE	VARIOS / MISCELLANEOUS					
ITEM	CODIGO REFERENCE	DENOMINACION	DENOMINATION	ACE-061	AE-061	APE-061	ACE-101	AE-101	APE-101
	12043788	INSTAL. ELECTRICA ACE 06 1	ELEC. INSTALL. ACE 06 1	1	-	-	-	-	-
	12043785	INSTAL. ELECTRICA APE 06 1	ELEC. INSTALL. APE 06 1	-	1	1	-	-	-
	12043773	INSTAL. ELECTRICA ACE 101, 102	ELEC. INSTALL. ACE 101, 102	-	-	-	1	-	-
	12041848	INSTAL. ELECTRICA APE,AE,101,102	ELEC. INSTALL. APE,AE,101,102	-	-	-	-	1	1
	12040567	CABLEADO LAVADO 201-102-202	WIRING CABLE 201-102-202	-	-	1	-	-	1
	12009059	CABLEADO LAVADO 06,101	WIRING CABLE 06,101	-	-	1	-	-	1
	12008976	CABLEADO PULSADOR RESET	RESET BUTTON WIRING	-	-	1	-	-	1
	12043800	CABLEADO RESISTENCI. ACE 101	RESISTOR WIRING ACE 101	-	-	-	1	-	-
	12041911	CABLEADO RESISTENCI. APE 101	RESISTOR WIRING APE 101	-	-	-	-	1	1
	12023775	CABLE USB VISUAL PLUS 1,5M	VISUAL PLUS USB CABLE 1,5M	-	-	1	-	-	1
	12009302	CABLEADO FUERZA COE101	POWER WIRE COE101	-	-	-	1	-	-
	12009443	CABLEADO FUERZA VPE-101	POWER WIRE VPE VPE-101	-	-	-	-	1	1
	12024569	CABLEADO LUZ INTERIOR HVG10-	INTERIOR LIGHT WIRING HVG10-	1	1	1	1	1	1
	12023696	CABLEADO BMF	WIRING BMF	1	1	1	1	1	1
	12009277	CD HACCP VISUAL COMPLETO	HACCP CD COMPLETE VISUAL	-	-	1	-	-	1
	12025235	CONECTOR PASO 3,96MM 8 VIAS	CONNECTOR ROUTES 3,96MM 8	1	1	1	1	1	1

APARATO / APPLIANCE		HORNOS / OVENS	ZONA / ZONE	REPUESTOS RECOMENDADOS RECOMMENDED SPARE PART					
ITEM	CODIGO REFERENCE	DENOMINACION	DENOMINATION	ACE-061	AE-061	APE-061	ACE-101	AE-101	APE-101
16	12046015	KIT PUERTA 061	DOOR 061 KIT	1	1	1	-	-	-
16	12046018	KIT PUERTA 101	DOOR 101 KIT	-	-	-	1	1	1
1	12046041	KIT CRISTAL INTER. 061	061 INNER GLASS KIT	1	1	1	-	-	-
1	12046042	KIT CRISTAL INTER. 101	101 INNER GLASS KIT	-	-	-	1	1	1
3	12039312	BISAGRA SUPERIOR	UPPER HINGE	1	1	1	1	1	1
7	12047967	BASE BISAGRA INFERIOR 6 DIEN	LOWER HINGE BASE	1	1	1	1	1	1
8	12047580	REP. MANILLA 1/1 ADVANCE	HANDLE 1/1 ADVANCE	1	1	1	1	1	1
9	12024560	INTERRUPTOR MAGNETICO AC	MAGNETIC SWITCH AC	1	1	1	1	1	1
14	12023849	ANCLAJE PUERTA	DOOR ANCHORING	1	1	1	1	1	1
15	12039599	JUNTA PUERTA COMPL. 061	DOOR JOINT 061	1	1	1	-	-	-
15	12039475	JUNTA PUERTA COMPL. 101	DOOR JOINT 101	-	-	-	1	1	1
13	12025161	E.V. 230VAC 50/60Hz 1V	SOLENOID VALVE 230VAC 1 W	1	-	1	1	-	1
14	12023794	E.V. 230VAC 50/60Hz 2V	SOLENOID VALVE 230VAC 2 W	1	1	-	1	1	-
14	12115418	E.V. 230VAC 50/60Hz 3V	SOLENOID VALVE 230VAC 3 W	-	1	1	-	1	1
15	12095019	TERMOSTATO_261_NA_51°C	THERMOSTAT_261_NA_51°C	1	1	-	1	1	-
1	12024325	MOTOR 230V AC 3N650KW 1450RPM	MOTOR 230V AC 3N650KW 1450	1	1	1	1	1	1
4	12024510	RETEN 17X28X7V	RETAINER 28x17x7	2	2	2	2	2	2
5	12010122	ANILLO DE SEGURIDAD Ø 28X1.2	SAFETY RING 28x1,2	1	1	1	1	1	1
6	12024306	TURBINA RECTA Ø350X127 HANN.	TURBINE RECTA Ø350X127 HAN	1	1	1	1	1	1
7	12041165	JUNTA RESIST. CIRCULAR 1/1 ADV	RESIST. CIRCULAR 1/1 ADV SEAL	1	1	1	2	2	2
8	12039496	RESIST.CONVECCION INT. 9Kw ADV	CONVECTION RESIST. INT. ADV	1	1	1	1	1	1
9	12039497	RESIST.CONVECCION EXT. 9Kw ADV	RESIST.CONVECCION EXT. ADV	-	-	-	1	1	1
11	12025193	INTERRUPTOR PUERTA	DOOR SWITCH	2	2	2	2	2	2
12	12024638	MOTOR CHIMENEA	FLUEPIPE MOTOR	1	1	1	1	1	1
14	12024122	TUBO FLEXIBLE Ø53X360	FLEXIBLE TUBE Ø53X360	1	1	1	1	1	1
8	12093684	KIT VALVULA DESAGUE ADVAN.	VALVE DRAIN ADVANCE KIT	-	-	1	-	-	1
12	12024708	MOTOBOMBA ACLARADO	MOTOR-PUMP	-	-	1	-	-	1
1	12046048	KIT GENERADOR VAPOR 601	STEAM GENERATOR 601 KIT	-	1	1	-	-	-
1	12046049	KIT GENERADOR VAPOR 101	STEAM GENERATOR 101 KIT	-	-	-	-	1	1

# Зип Общепит

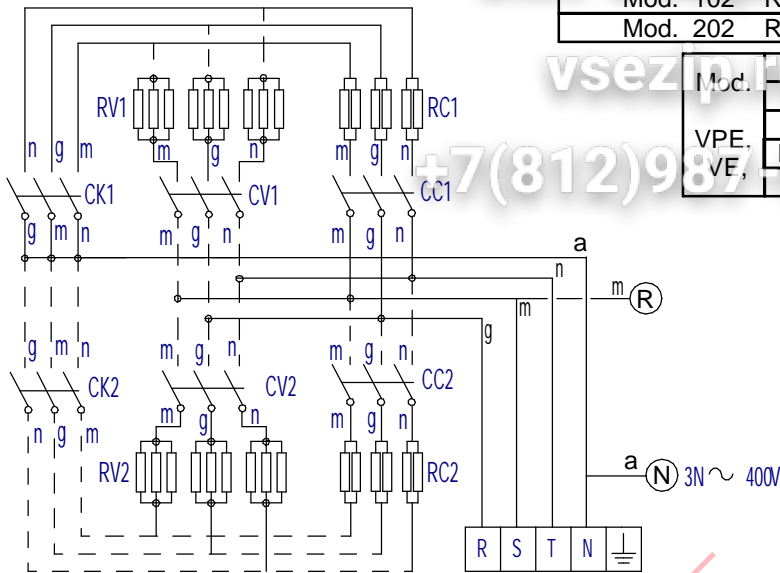
APARATO / APPLIANCE		HORNOS / OVENS		ZONA / ZONE		REPUESTOS RECOMENDADOS RECOMMENDED SPARE PART					
ITEM	CODIGO REFERENCE	DENOMINACION	DENOMINATION	ACE-061	AE-061	APE-061	ACE-101	AE-101	APE-101		
2	12047930	EMPALME GENERADOR 061	GENERATOR JOINT 601	-	1	1	-	1	1		
5	12023573	ELECTRODO ALTO	HIGH LEVEL ELECTRODE	-	1	1	-	1	1		
6	12023574	ELECTRODO BAJO	LOW LEVEL ELECTRODE	-	1	1	-	1	1		
7	12023575	ELECTRODO DE MASA	EARTH ELECTRODE	-	1	1	-	1	1		
10	12024752	RESISTENCIA 3x3000W 230V	RESISTOR 3x3000W 230V	-	1	1	-	1	1		
12	12024747	RESISTENCIA 3x3000W	RESISTOR 3x3000W	-	-	-	-	1	1		
13	12039546	MOTOBOMBA 230V AC 1N 50/60Hz	PUMP 230V AC 50/60Hz 30W 1N	-	1	1	-	1	1		
16	12023901	CONJUN. TERMOPAR VAPOR (Tg)	STEAM THERMOCOUPLE UNIT (Tg)	-	1	1	-	1	1		
1	12048794	REP VARIADOR REGULADO 061E	REGULATED VARIATOR 061E	1	1	1	-	-	-		
1	12048798	REP VARIADOR REGULADO ADV	REGULATED VARIATOR ADV	-	-	-	1	1	1		
2	12024642	CONJUN. TERMOPAR CAMARA (Tn)	CHAMB THERMOCOUPLE UNIT (Tn)	1	1	1	1	1	1		
6	12039548	SONDA PINCHO ADVANCE	ADVANCE PROBE PINCHO	1	1	1	1	1	1		
8	12024591	TERMOSTATO LIMITADOR 10/21	LIMITER THERMOSTAT10/21	1	1	1	1	1	1		
9	12024884	TERMOSTATO LIMITADOR CORTE	THERMOSTAT LIMITER	-	1	1	-	1	1		
14	12023862	VENTILADOR 230V.50-60HZ	FAN 230V 50/60HZ	2	2	2	2	2	2		
17	12024173	TRANSFORMADOR 12-0-12-0,24-0	TRANSFORMER 12-0-12-0,24-0	1	1	1	1	1	1		
18	12041634	CONJUN.TERMOPAR VAPOR (Tv)	STEAM THERMOCOUPLE UNIT (Tv)	1	1	-	1	1	-		
18	12044609	CONJUNTO TERMOPAR L425 (Tv)	THERMOCOUPLE UNIT L425 (Tv)	-	-	1	-	-	1		
1	12130672	TARJETA CAMARA GRAB. LAVADO	RECORD. CHAMBER CARD WASH	1	1	1	1	1	1		
2	12130674	TARJ. PORTAM. GRABADA LAVADO	REC. COTRL PANEL CARD WASH	1	-	-	1	-	-		
5	12129318	SERIGRAFIA ACE-ACG	ACE-ACG SERIGRAPHY	1	-	-	1	-	-		
2	12130675	REP PORTAM. ADVANCE LAVADO	RECORD. C. PANEL CARD WASH	-	1	-	-	1	-		
3	12046670	CONTROL TARJETA CALD. 12V AC 50/60	CARD CONTROL 12V AC 50/60Hz	-	1	1	-	1	1		
5	12043405	ENCODER GAMA ADVANCE	ADVANCE RANGE ENCODER	-	1	-	-	1	-		
7	12129465	SERIGRAFIA ADVANCE LAVADO	ADVANCE SERIGRAPHY WASHING	-	1	-	-	1	-		
1	12041815	JUNTA PORTAMANDOS ADV PLUS	CONTROL PANEL SEAL ADV PLUS	1	1	1	1	1	1		
4	12121349	PLAT ADV PLUS CON SOFTWARE	ADV PLUS SOFTWARE PLATF.	-	-	1	-	-	1		

3 ~ 400V

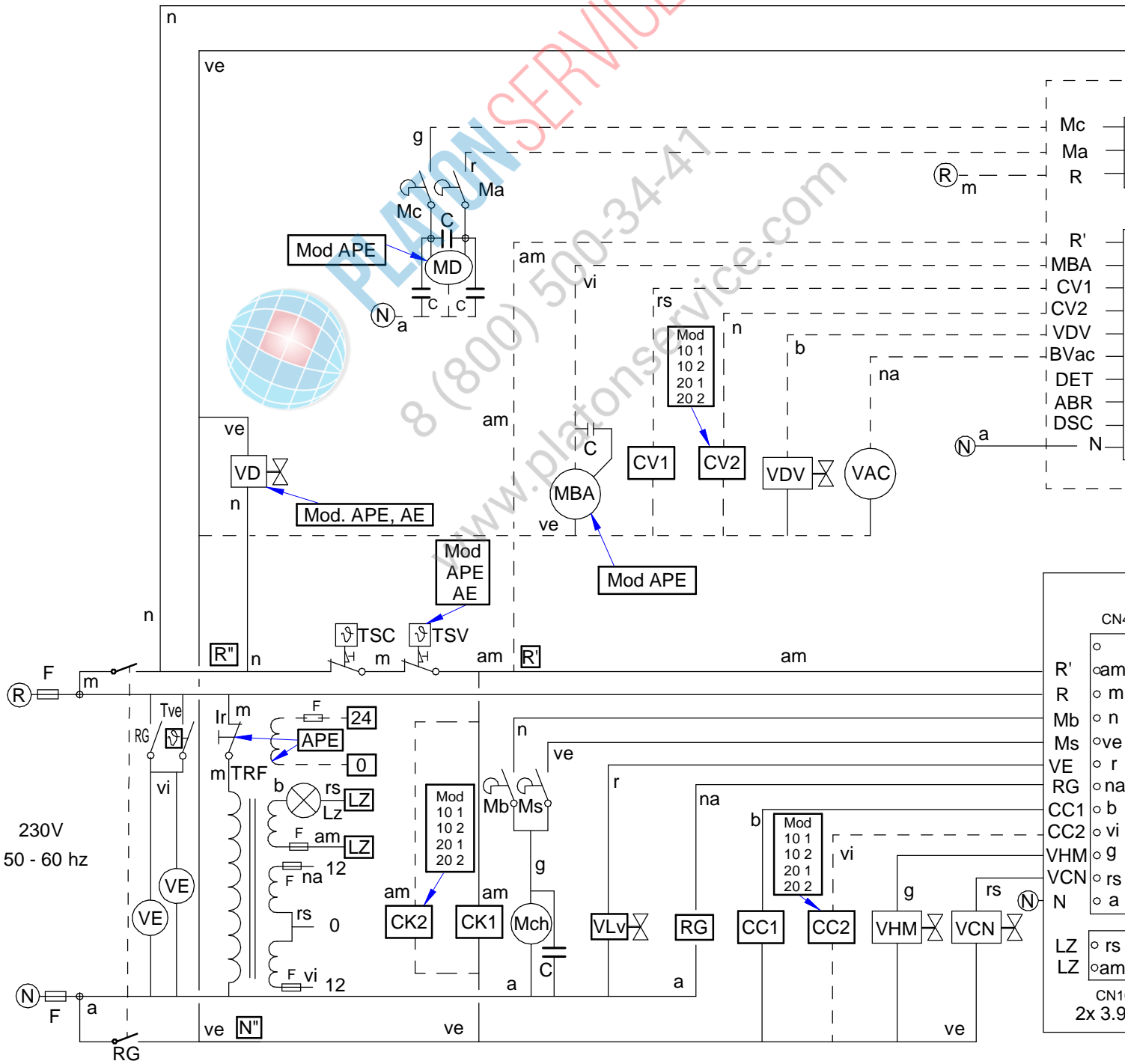
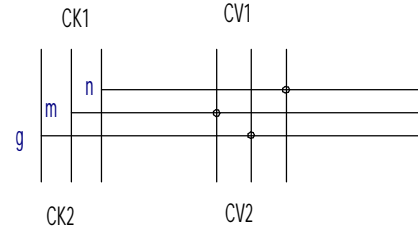
Mod. 101	RC2=3x3KW	Mod. 061, 101	RC1=3x3KW
Mod. 201	RC2=3x6KW	Mod. 201	RC1=3x6KW
Mod. 102	RC2=3x5KW	Mod. 102	RC1=3x5KW
Mod. 202	RC2=6x5KW	Mod. 202	RC1=6x5KW

Mod. 061, 101	RV1=3x3KW
Mod. 201, 102	RV1=6x3KW
Mod. 202	RV1=9x3KW
Mod. 101, 102	RV2=3x3KW
Mod. 202	RV2=9x3KW



3 ~ 230V

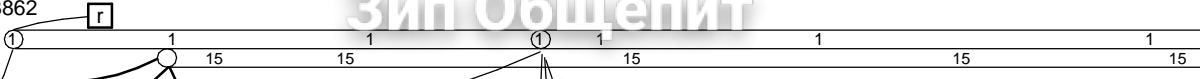
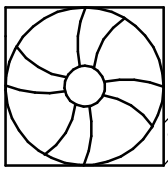


VE 061,101,102 12023862  
 VE 201,202 12023862

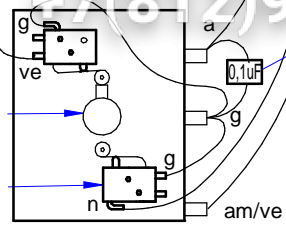
Зип Общепит

vsezip.ru

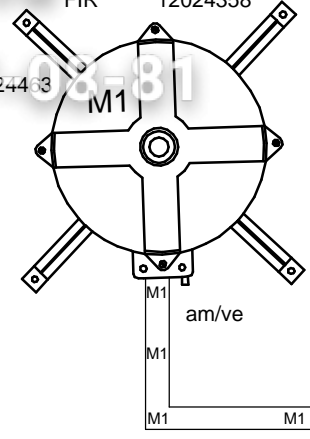
8 (812) 987-08-81



Mch 12018443  
 Mb 12025193

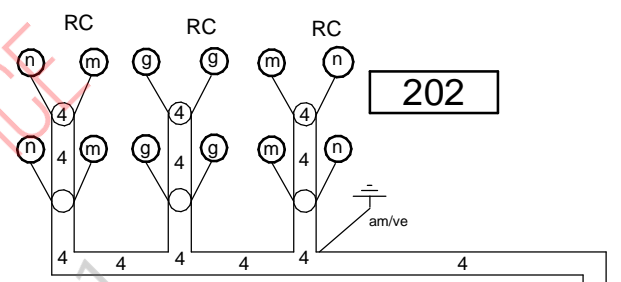
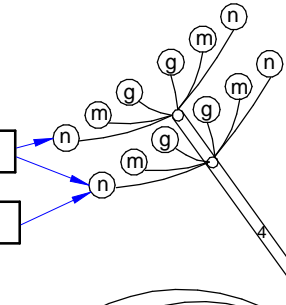


Hanning 12024325  
 FIR 12024358



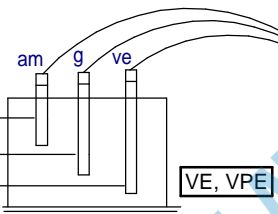
12039496  
 12039497

101  
 061



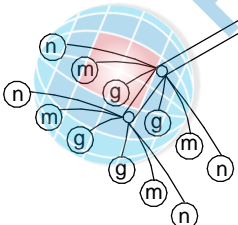
202

12023573  
 12023574  
 12023575

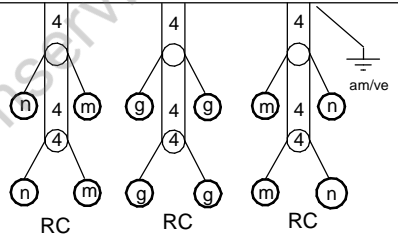


PLATON SERVICE  
 8 (800) 500-3441  
 www.platonservice.com

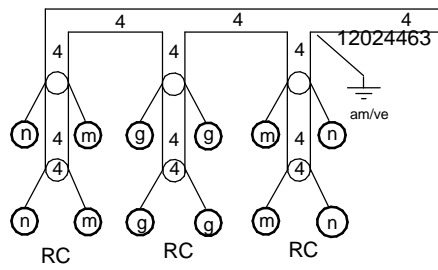
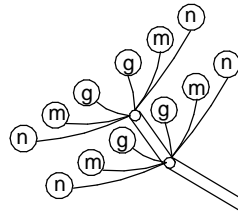
**RC 202**  
 15+15 KW 12024349 + 12024359



201



**RC 102**  
 15+15 KW 12024349 + 12024359

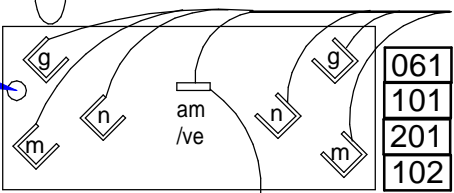


**RC 202** 15+15 KW  
 12024349 + 12024359

TSV

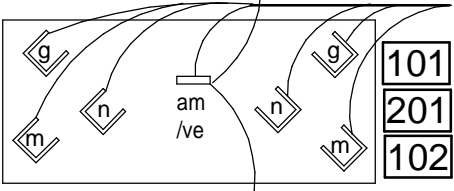
Tg

RV 12024752  
 APE, AE



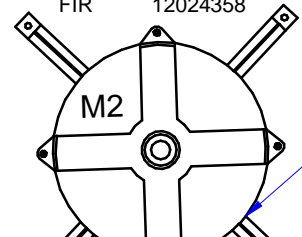
061  
 101  
 201  
 102

RV 12024752  
 APE, AE



101  
 201  
 102

Hanning 12024325  
 FIR 12024358

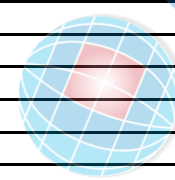


20X

APARATO / APPLIANCE		HORNOS / OVENS	ZONA / ZONE	KIT BARCO / SHIP KIT					
ITEM	CODIGO REFERENCE	DENOMINACION	DENOMINATION	ACE-051	AE-061	APE-061	ACE-101	AE-101	APE-101
	12017293	TRANSFORMADOR 400/230 V, 2	TRANSFORMER 400/230 V, 2	1	1	1	1	1	1
	12095128	CHAPA TRANSFO. BARCO	SHIP TRANSFORMER SHEET	1	1	1	1	1	1
	12022528	GUIA CONTACTOR L-73	CONTACTOR GUIDE L-73	1	1	1	1	1	1
	12127889	VARIADOR 400V 50/60Hz 1,10KW U	VARIATOR 400V 50/60Hz 1,10KW U	1	1	1	1	1	1
	12023549	CABLEADO REGL-CONFTE-6-7-8-9	SOCKET-CONFTE 6-7-8-9 WIRING	1	1	1	1	1	1
	12009522	CABLEADO 400V SIN NEUTRO	400V WITHOUT NEUTRAL WIRING	1	1	1	1	1	1
	12093105	ESQ. TEORICO APE, AE 400V S/N	TEORICAL SCHEME 400V N/NEUT	1	1	1	1	1	1
	12095209	HOJA INFO TRANSFORM. 400V. S/N	INFO. SHEET TRANSF 400V N/NEU	1	1	1	1	1	1
	12004270	PLANO DE MONTAJE	ASSEMBLY DRAWING	1	1	1	1	1	1

vsezip.ru

+7 (812) 987-08-31

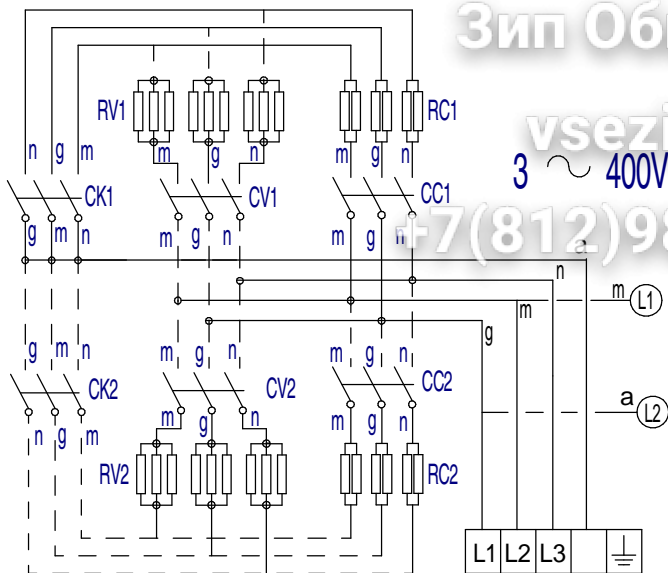


PLATON SERVICE  
 8 (800) 500-34-41  
 www.platonservice.com

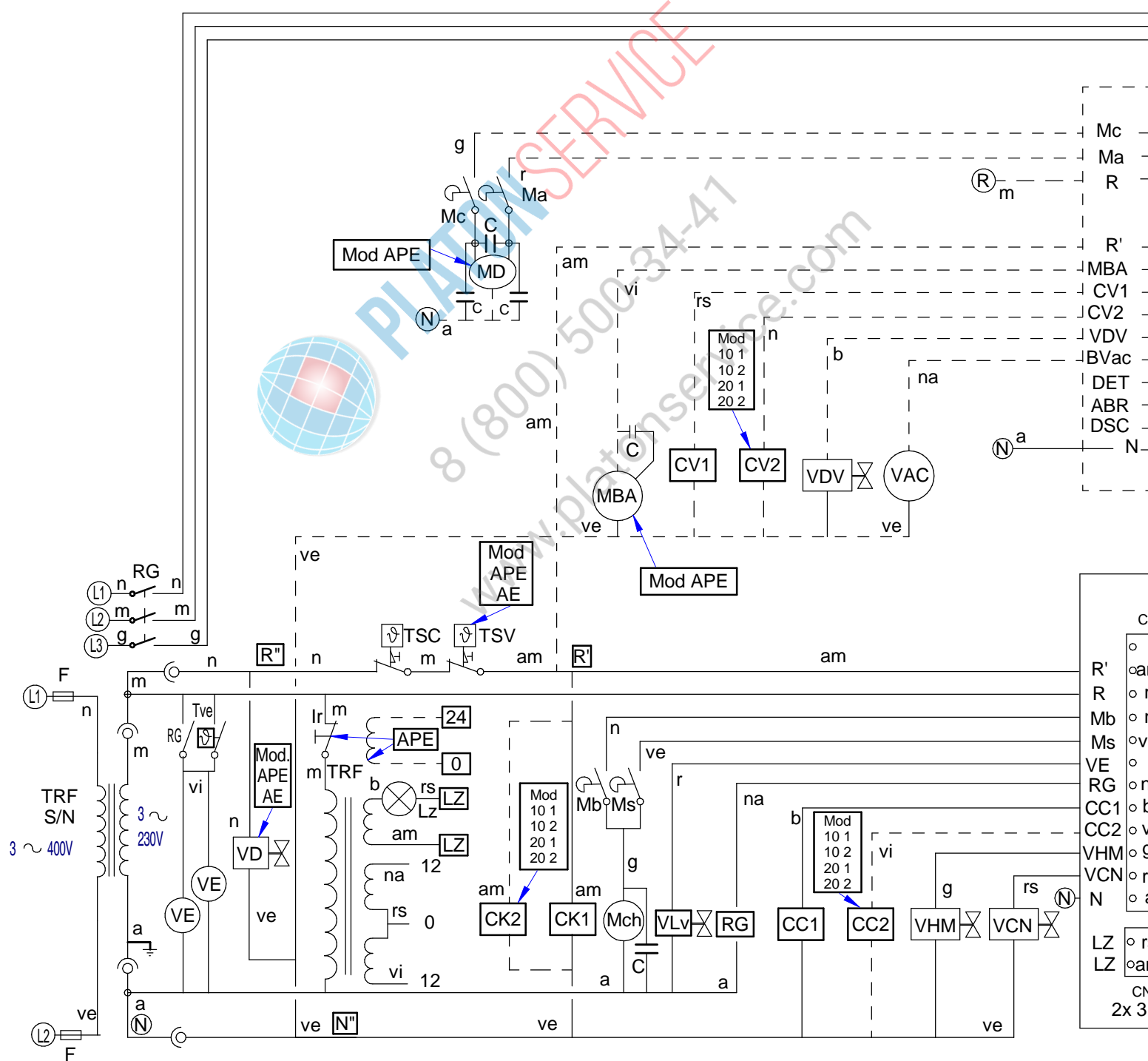
Зип Общественный

Mod. 101	RC2=3x3KW
Mod. 201	RC2=3x6KW
Mod. 102	RC2=3x5KW
Mod. 202	RC2=6x5KW

Mod. 061, 101	RV1=3x3KW
Mod. 201	RV1=6x3KW
Mod. 102	RV1=9x3KW
Mod. 101, 102, 201	RV2=3x3KW
Mod. 202	RV2=9x3KW



Mod.	Mod. 061, 101	RV1=3x3KW
	Mod. 201, 102	RV1=6x3KW
VPE	Mod. 202	RV1=9x3KW
VE	Mod. 101, 102, 201	RV2=3x3KW
	Mod. 202	RV2=9x3KW



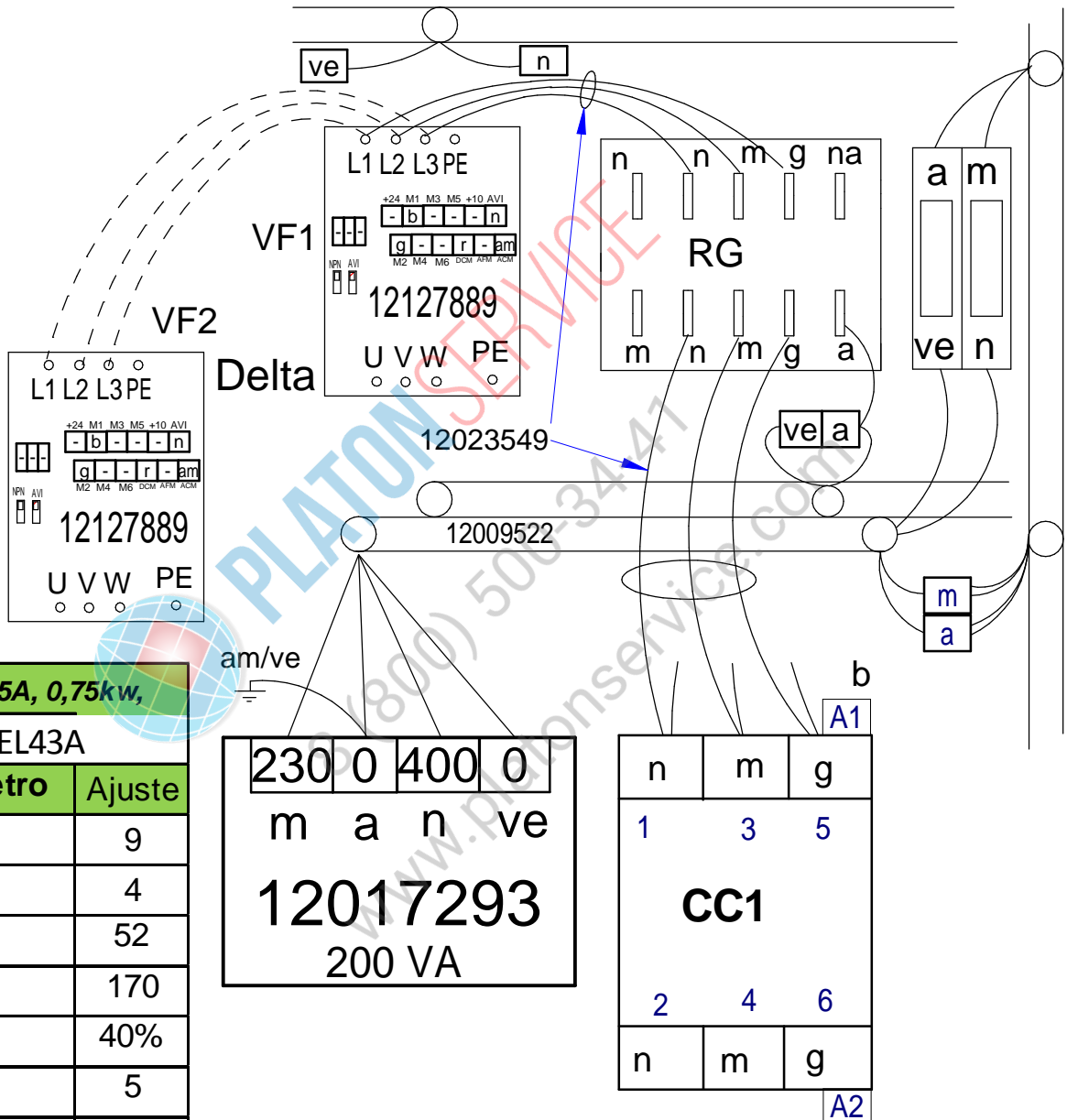


# KIT 400V SIN NEUTRO HORNOS ELECTRICOS

## 400V KIT, WITHOUT NEUTRAL ELECTRIC OVENS

12004270

3 ~ 400 V Sin Neutro



400V, 2,5A, 0,75kw,	
VFD007EL43A	
Parámetro	Ajuste
00.02	9
00.04	4
01-00	52
01-02	170
01-08	40%
01-09	5
01-10	5
02.03	12
02.05	2
04.04	1
06-02	100%
06-06	1
08.15	3

230	0	400	0
m	a	n	ve
12017293			
200 VA			

n	m	g
1	3	5
CC1		
2	4	6
n	m	g

### Esquema Electrico 12093105

Nota: El cable azul que va a CK1, conectarlo a CV1 junto al cable gris.

Note: The blue wire that going to CK1, Connect to CV1 with gray wire together.

	<b>ESPAÑOL</b>	<b>ENGLISH</b>	<b>FRANÇAIS</b>
BEC	Bujía Encendido Cámara	Chamber Spark Plug	Bougie Allumage
BEV	Bujía Encendido Caldera	Boiler Spark Plug	Bougie Allumage
C.C.	Control Camara	Chamber Control	Contrôle Chambr
C.E.C	Control Combustión Cámara	Chamber Combustion Control	Contrôle Comb
C.E.V	Control Combustión Caldera	Boiler Combustion Control	Contrôle Comb
C.G.	Control Gas	Control Gas	Contrôle Gaz
C.V.	Control Caldera	Boiler Control	Contrôle Chaud
CC1, CC2	Contactador Resistencia Cámara	Chamber Heating Element Contactor	Contacteur Élém
CK1, CK2	Contactador General Calentamiento	Heating Element Relay	Relais Élément
CV1, CV2	Contactador Resistencias Caldera	Boiler Heating Element Contactor	Contacteur Élém
DEC	Detector Llama Cámara	Chamber Flame Detector	Détecteur Flam
DEV	Detector Llama Caldera	Boiler Flame Detector	Détecteur Flam
DN	Detector Nivel Caldera	Boiler Level Detector	Détecteur Nivea
E1, E2, E3	Encendedor, generador de chispa	Spark generator	Générateur d'ét
F,F1,F2,F3,F4,F	Fusibles	Fuses	Fusibles
FI	Filtro Interferencias	Interference Filter	Filtre Interféren
FM	Térmico Motor	Thermal Engine	Thermique Mote
GV1, GV2	Electro válvula Gas Cámara	Chamber Gas Solenoid Valve	Électrovanne G
GV3, GV4	Electro válvula Gas Caldera	Boiler Gas Solenoid Valve	Électrovanne G
Ip	Interruptor Seguridad Puerta	Door Safety Switch	Interrupteur Sé
Lz	Luz Interior	Inner Light	Éclairage Intérie
M, M2	Motor Turbina	Turbine Engine	Moteur Turbine
Ma	Interruptor Micro Abierto	Open Microswitch	Microrupteur Ou
Mb	Interruptor Micro Bajada	Drop Microswitch	Microrupteur De
Mc	Interruptor Micro Cerrado	Closed Microswitch	Microrupteur Fe
Mch	Motor Chimenea	Stack Engine	Moteur Chemin
MD	Motor Desague	Drain Engine	Moteur évacuat
Ms	Interruptor Micro Subida	Rise Microswitch	Microrupteur M
RC	Resistencias Cámara	Chamber Heating Element	Éléments Chau
RG	Rele General	Main Relay	Relais Général
RV	Resistencias Caldera	Boiler Heating Element	Éléments Chau
Tc	Sonda Cámara	Chamber Probe	Sonde Chambr
TCN	Termostato Condensación	Condensation Thermostat	Thermostat Cor
Tg	Sonda Caldera	Boiler Probe	Sonde Chaudièr
Tn	Sonda Núcleo	Core Probe	Sonde Noyau
TRF	Transformador	Transformer	Transformateur
TSC	Termostato Seguridad Cámara	Chamber Safety Thermostat	Thermostat Sé
TSV	Termostato Seguridad Caldera	Boiler Safety Thermostat	Thermostat Sé
Tv	Sonda Vapor	Steam Probe	Sonde Vapeur
VAC	Bomba Vaciado	Vacuum Pump	Pompe Vidange
MBA	Moto Bomba Aclarado	Rinsing Pump	Pompe Rinçage
VC1, VC2	Ventilador Soplante Camara	Blowing Fan	Ventilateur Sou
VCN	Electro válvula Condensación	Condensation Solenoid Valve	Électrovanne C
VDV	Electro válvula Llenado Caldera	Chamber Filling Solenoid Valve	Électrovanne R
VE	Ventilador Cuadro Eléctrico	Fan Switchboard	Ventilateur Tabl
VF1,VF2	Variador de Frecuencia	Speed Variator	Variateur Vites
VHM	Electro válvula Humidificador	Humidifier Solenoid Valve	Électrovanne H
Vv	Ventilador Soplante Caldera	Boiler Blowing Fan	Ventilateur sou
	<b>COLORES</b>	<b>COLOUR</b>	<b>COULEURS</b>
a / BLU	Azul	Blue	Bleu
am / YEL	Amarillo	Yellow	Jaune
am ve / YEL GRN	Amarillo/verde	Yellow / green	Jaune / vert
b / WHT	Blanco	White	Blanc
g / GRY	Gris	Grey	Gris
m / BRN	Marrón	Brown	Marron
n / BLK	Negro	Black	Noir
na / ORG	Naranja	Orange	Orange
r / RED	Rojo	Red	Rouge
rs / PNK	Rosa	Pink	Rose
ve / GRN	Verde	Green	Vert
vi / PRP	Violeta	Purple	Violet